

EVAPCO, INC.

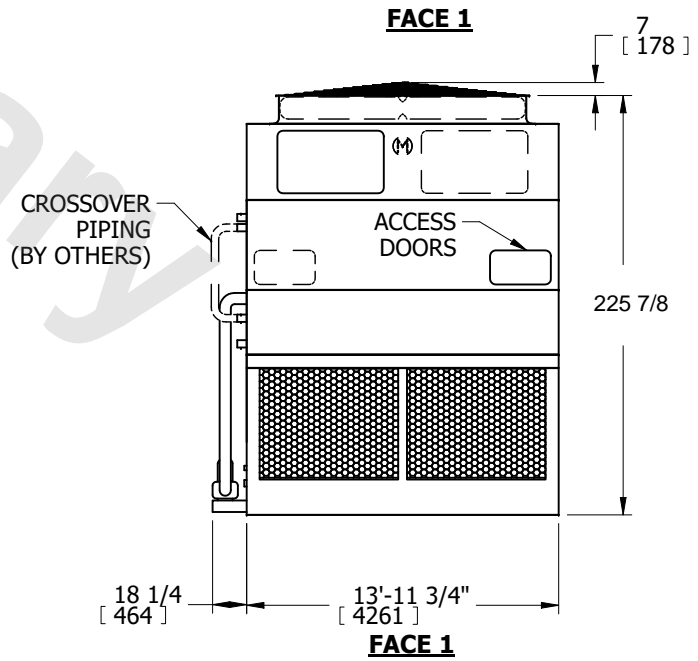
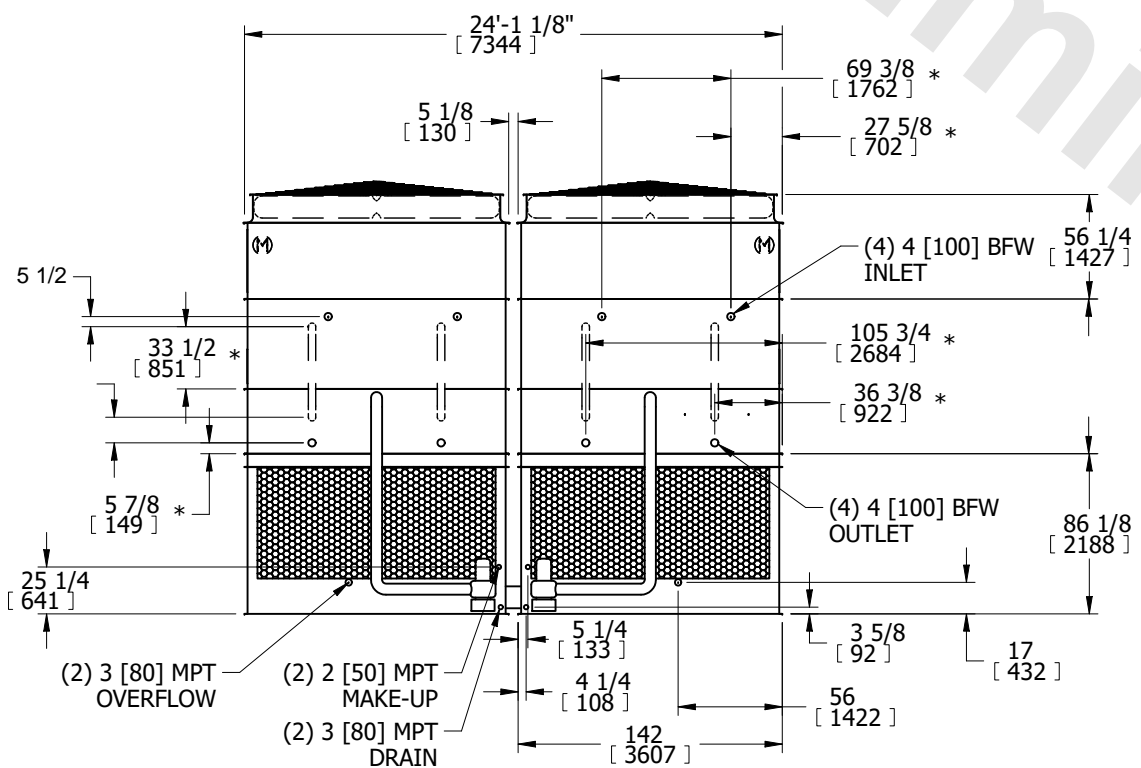
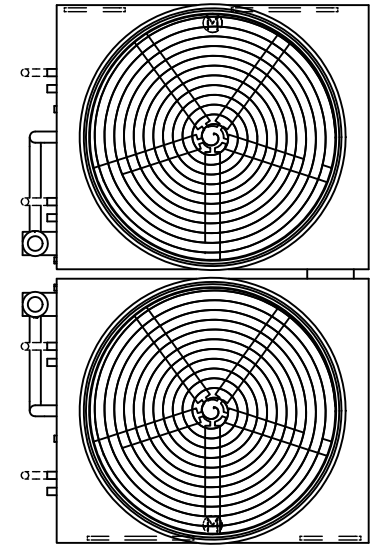


| | | | | | | | | | | | | | |
|------|-----------------------|---------|---------------------|-------|--------|--------|-------------------|------|---|------|-----------|----------|--|
| UNIT | EVAPORATIVE CONDENSER | MODEL # | ATC-DC-2414K-25-2EF | SCALE | N.T.S. | DWG. # | EGCH241404-DRD-ST | REV. | - | DATE | 4/29/2026 | SERIAL # | |
|------|-----------------------|---------|---------------------|-------|--------|--------|-------------------|------|---|------|-----------|----------|--|

- NOTES:
- (M)- FAN MOTOR LOCATION
 - HEAVIEST SECTION IS COIL SECTION
 - MPT DENOTES MALE PIPE THREAD
FPT DENOTES FEMALE PIPE THREAD
BFW DENOTES BEVELED FOR WELDING
GVD DENOTES GROOVED
FLG DENOTES FLANGE
 - +UNIT WEIGHT DOES NOT INCLUDE ACCESSORIES (SEE ACCESSORY DRAWINGS)
 - MAKE-UP WATER PRESSURE
20 psi MIN [137 kPa], 50 psi MAX [344 kPa]

- 3/4" [19mm] DIA. MOUNTING HOLES. REFER TO RECOMMENDED STEEL SUPPORT DRAWING.
- * - APPROXIMATE DIMENSIONS DO NOT USE FOR PRE-FABRICATION OF CONNECTING PIPING.

**FACE 2
PLAN VIEW**



| | | | | | | | | | |
|-----------------|------------------------|------------------|------------------------|-------------------------|-----------------------|--------------------------|---|-----------|-----|
| SHIPPING WEIGHT | 45060 lbs+ [20440] kg+ | OPERATING WEIGHT | 61460 lbs+ [27880] kg+ | HEAVIEST SECTION WEIGHT | 18710 lbs+ [8490] kg+ | NO. OF SHIPPING SECTIONS | 6 | DRAWN BY: | SFR |
|-----------------|------------------------|------------------|------------------------|-------------------------|-----------------------|--------------------------|---|-----------|-----|