

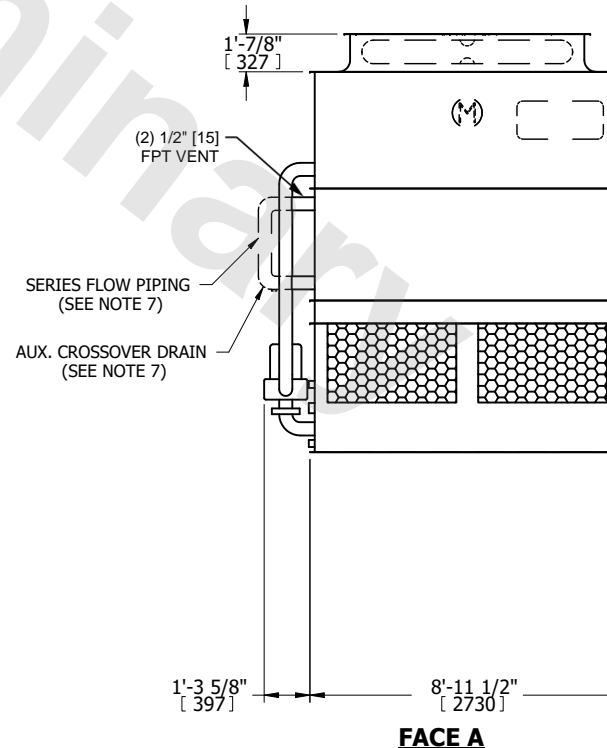
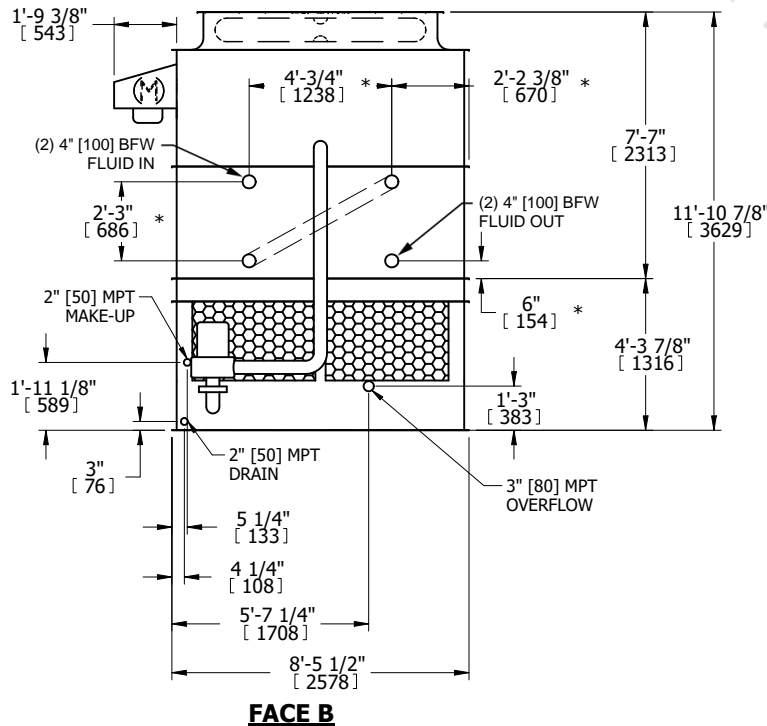
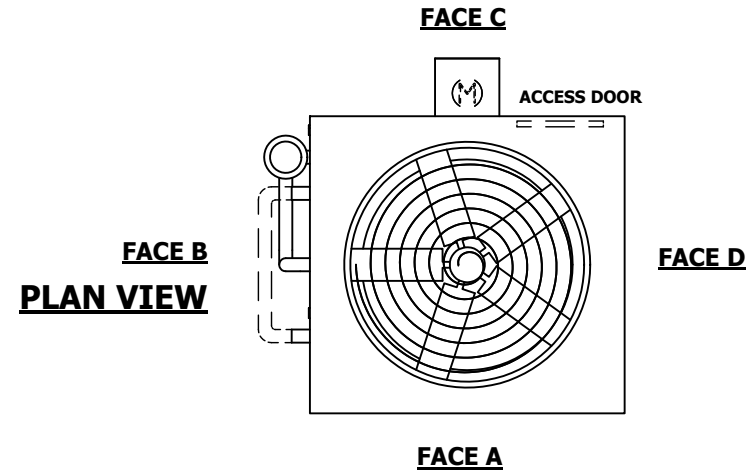
UNIT	CLOSED CIRCUIT COOLER	
MODEL #	eco-ATWB 9-419-Z	SCALE NTS

EVAPCO, INC.

DWG. #	WB3090908-DRC-SF	REV.	-
SERIAL #		DATE	5/16/2026

NOTES:

1. (M) - FAN MOTOR LOCATION
2. HEAVIEST SECTION IS UPPER SECTION
3. MPT DENOTES MALE PIPE THREAD
FPT DENOTES FEMALE PIPE THREAD
BFW DENOTES BEVELED FOR WELDING
GVD DENOTES GROOVED
FLG DENOTES FLANGE
PE DENOTES PLAIN END
4. + UNIT WEIGHT DOES NOT INCLUDE ACCESSORIES (SEE SEPARATE DRAWINGS FOR ACCESSORIES)
5. MAKE-UP WATER PRESSURE
20 psi MIN [137 kPa], 50 psi MAX [344 kPa]
6. * - APPROXIMATE DIMENSIONS DO NOT USE FOR PRE-FABRICATION OF CONNECTING PIPING
7. SERIES FLOW PIPING AND AUX. CROSSOVER DRAIN BY OTHERS
8. 3/4" [19MM] DIA. MOUNTING HOLES. REFER TO RECOMMENDED STEEL SUPPORT DRAWING.
9. DIMENSIONS LISTED AS FOLLOWS:
ENGLISH FT-IN
METRIC [mm]



SHIPPING WEIGHT	11080 lbs+ [5030] kg+	OPERATING WEIGHT	15480 lbs+ [7025] kg+
		HEAVIEST SECTION WEIGHT	9640 lbs+ [4375] kg+
		NO. OF SHIPPING SECTIONS	2
		DRAWN BY:	JLG