

# EVAPCO, INC.



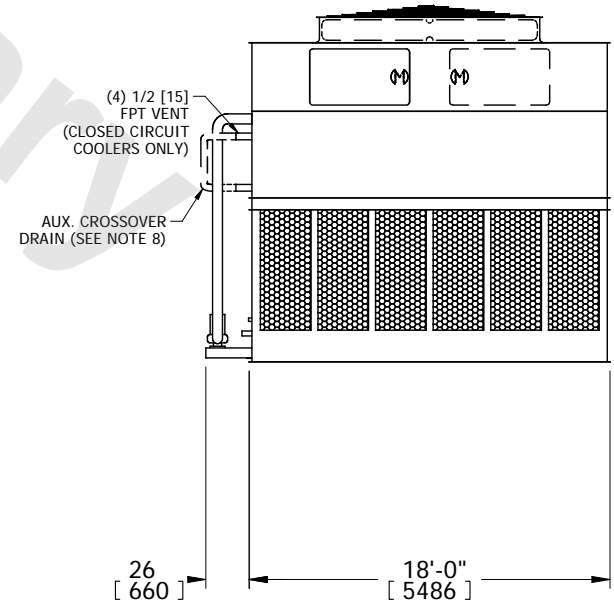
|      |                       |         |                    |       |        |        |                 |      |   |      |           |          |  |
|------|-----------------------|---------|--------------------|-------|--------|--------|-----------------|------|---|------|-----------|----------|--|
| UNIT | CLOSED CIRCUIT COOLER | MODEL # | eco-ATWB 24-4L18-Z | SCALE | N.T.S. | DWG. # | EG241808-DRA-SF | REV. | - | DATE | 5/21/2026 | SERIAL # |  |
|------|-----------------------|---------|--------------------|-------|--------|--------|-----------------|------|---|------|-----------|----------|--|

- NOTES:
- (M)- FAN MOTOR LOCATION
  - HEAVIEST SECTION IS UPPER SECTION
  - MPT DENOTES MALE PIPE THREAD  
FPT DENOTES FEMALE PIPE THREAD  
BFW DENOTES BEVELED FOR WELDING
  - +UNIT WEIGHT DOES NOT INCLUDE ACCESSORIES (SEE ACCESSORY DRAWINGS)
  - MAKE-UP WATER PRESSURE  
20 psi MIN [137 kPa], 50 psi MAX [344 kPa]
  - \* -APPROXIMATE DIMENSIONS DO NOT USE FOR PRE-FABRICATION OF CONNECTING PIPING
  - VENT PROVIDED ON CLOSED CIRCUIT COOLERS ONLY
  - SERIES FLOW PIPING AND AUX. CROSSOVER DRAIN BY OTHERS

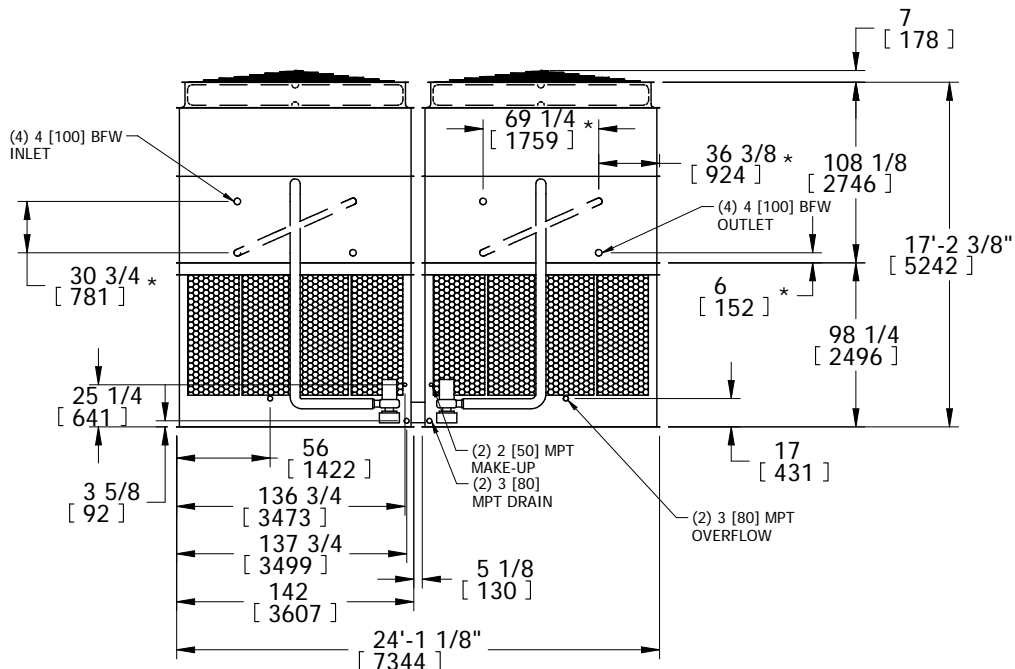
**FACE 2  
PLAN VIEW**



**FACE 1**



**FACE 2**



**FACE 1**

|                 |                        |                  |                        |                         |                        |                          |   |
|-----------------|------------------------|------------------|------------------------|-------------------------|------------------------|--------------------------|---|
| SHIPPING WEIGHT | 58180 lbs+ [26395] kg+ | OPERATING WEIGHT | 86520 lbs+ [39245] kg+ | HEAVIEST SECTION WEIGHT | 25170 lbs+ [11420] kg+ | NO. OF SHIPPING SECTIONS | 4 |
|-----------------|------------------------|------------------|------------------------|-------------------------|------------------------|--------------------------|---|