

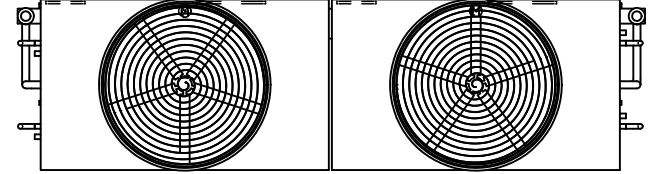
EVAPCO, INC.



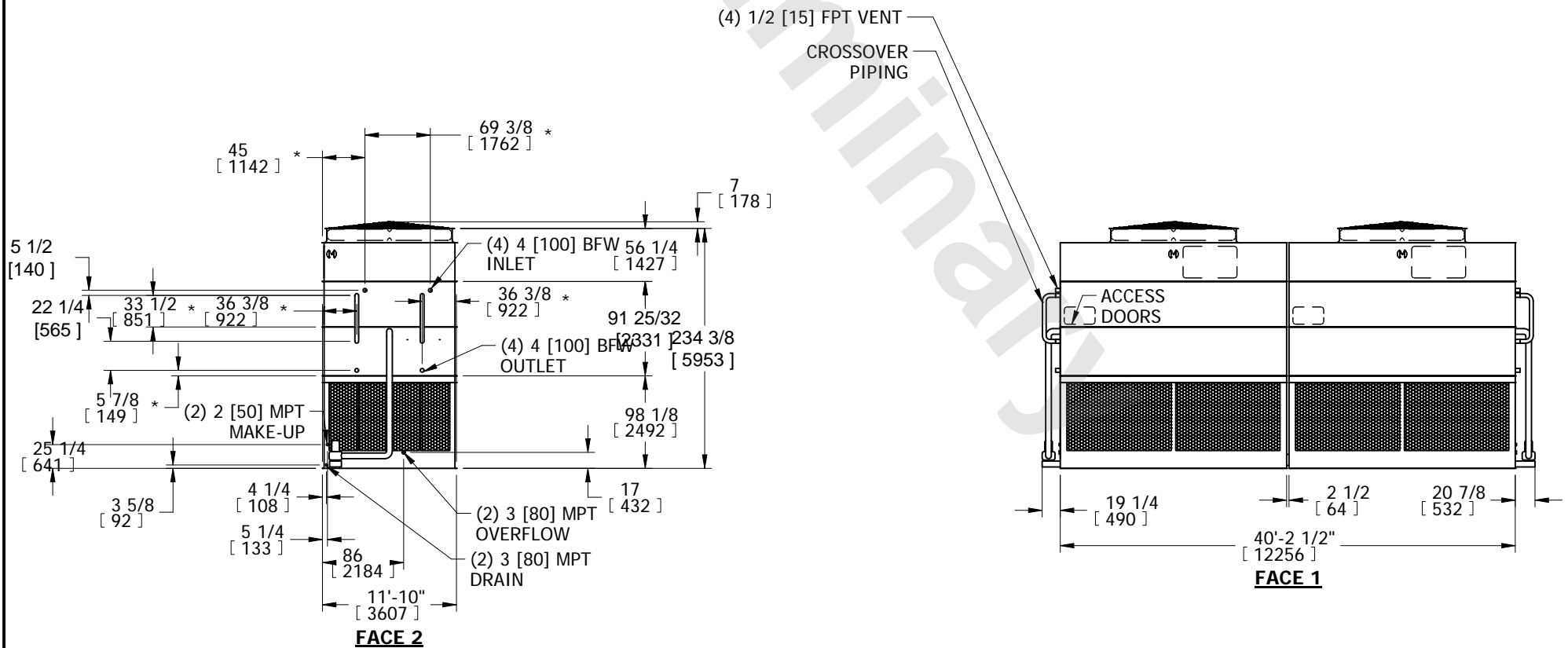
| | | | | | | |
|-------------------------------|-----------------------------------|-----------------|----------------------------|-----------|-------------------|----------|
| UNIT CLOSED CIRCUIT COOLER | MODEL # eco-ATWB-H 12-3N40-U22 | SCALE N.T.S. | DWG. # EGH1240MR-DRD-ST | REV. - | DATE 4/30/2026 | SERIAL # |
|-------------------------------|-----------------------------------|-----------------|----------------------------|-----------|-------------------|----------|

- NOTES:
- (M)- FAN MOTOR LOCATION
 - HEAVIEST SECTION IS COIL SECTION
 - MPT DENOTES MALE PIPE THREAD
FPT DENOTES FEMALE PIPE THREAD
BFW DENOTES BEVELED FOR WELDING
 - +UNIT WEIGHT DOES NOT INCLUDE ACCESSORIES (SEE ACCESSORY DRAWINGS)
 - MAKE-UP WATER PRESSURE
20 psi MIN [137 kPa], 50 psi MAX [344 kPa]
 - DIMENSIONS LISTED AS FOLLOWS:
ENGLISH IN
[METRIC] [mm]
7. * - APPROXIMATE DIMENSIONS DO NOT USE FOR PRE-FABRICATION OF CONNECTING PIPING.

**FACE 2
PLAN VIEW**



FACE 1



FACE 2

FACE 1

| | | | | |
|-------------------------------------------|--------------------------------------------|---------------------------------------------------|-------------------------------|------------------|
| SHIPPING WEIGHT 66730 lbs+ [30270] kg+ | OPERATING WEIGHT 95390 lbs+ [43270] kg+ | HEAVIEST SECTION WEIGHT 24770 lbs+ [11235] kg+ | NO. OF SHIPPING SECTIONS 6 | DRAWN BY: SFR |
|-------------------------------------------|--------------------------------------------|---------------------------------------------------|-------------------------------|------------------|