

# EVAPCO, INC.



|                               |                                    |                 |                            |           |                  |          |
|-------------------------------|------------------------------------|-----------------|----------------------------|-----------|------------------|----------|
| UNIT<br>CLOSED CIRCUIT COOLER | MODEL #<br>eco-ATWB-H 9-4118-Z-U12 | SCALE<br>N.T.S. | DWG. #<br>EGH0918MR-DRB-SF | REV.<br>- | DATE<br>4/5/2026 | SERIAL # |
|-------------------------------|------------------------------------|-----------------|----------------------------|-----------|------------------|----------|

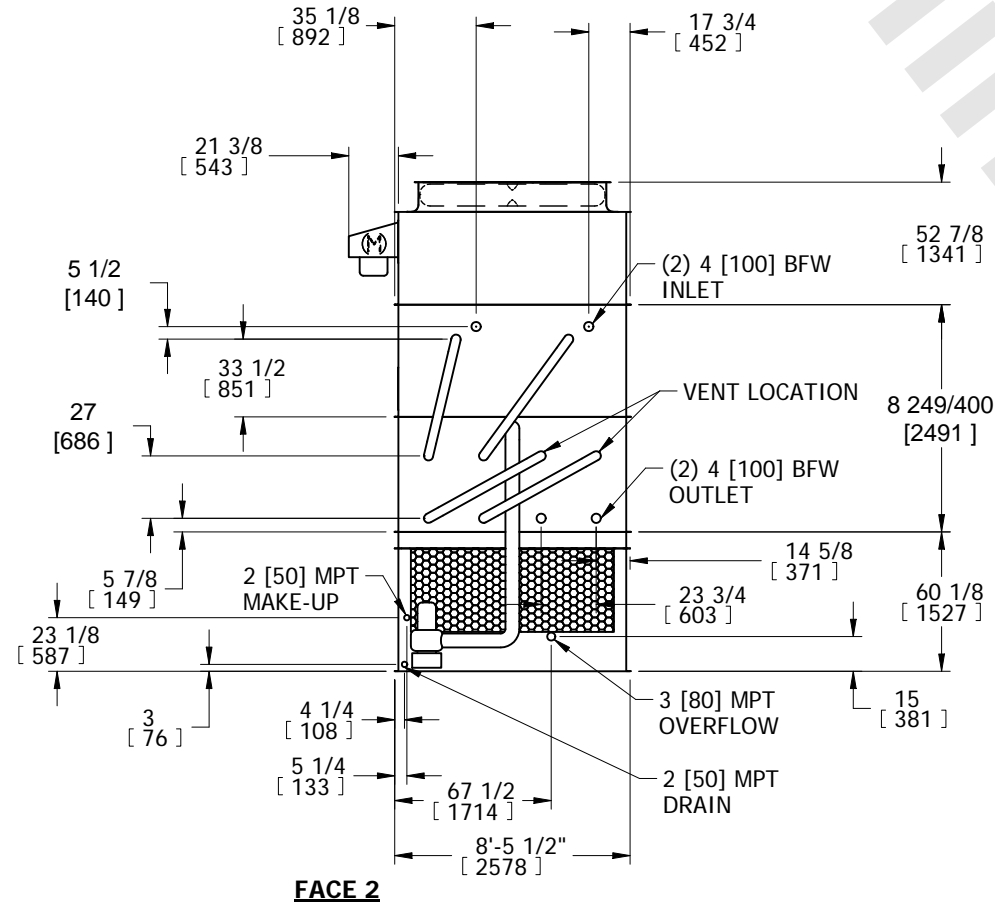
- NOTES:
- (M)- FAN MOTOR LOCATION
  - HEAVIEST SECTION IS COIL SECTION
  - MPT DENOTES MALE PIPE THREAD  
FPT DENOTES FEMALE PIPE THREAD  
BFW DENOTES BEVELED FOR WELDING
  - +UNIT WEIGHT DOES NOT INCLUDE ACCESSORIES (SEE ACCESSORY DRAWINGS)
  - MAKE-UP WATER PRESSURE  
20 psi MIN [137 kPa], 50 psi MAX [344 kPa]

- DIMENSIONS LISTED AS FOLLOWS:  
ENGLISH IN  
[METRIC] [mm]
- \* - APPROXIMATE DIMENSIONS DO NOT USE FOR PRE-FABRICATION OF CONNECTING PIPING.

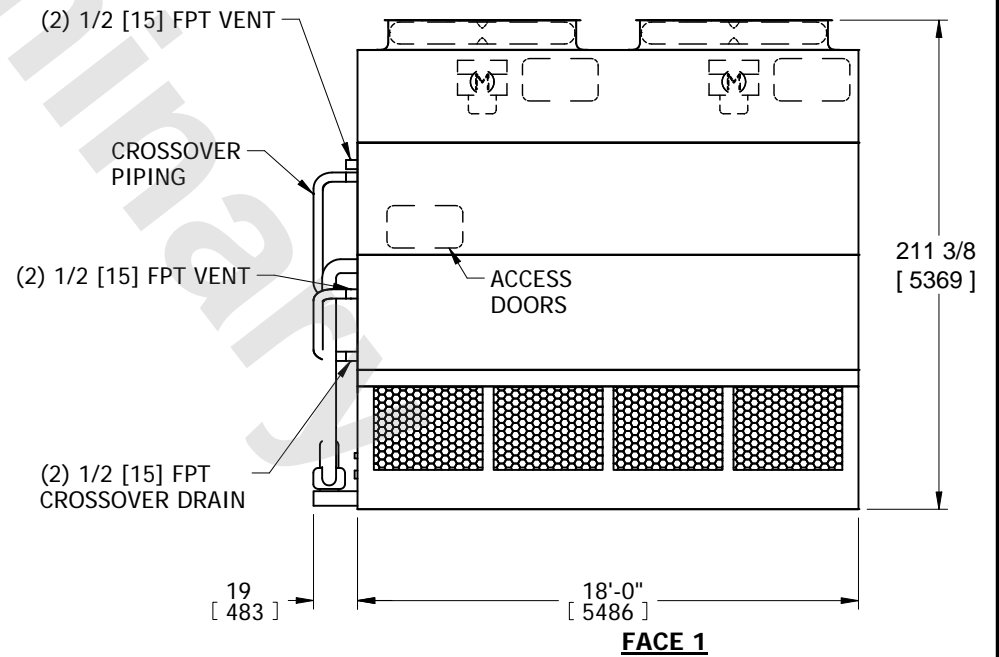
**FACE 2  
PLAN VIEW**



**FACE 1**



**FACE 2**



**FACE 1**

|   |  |  |                               |                  |
|---|--|--|-------------------------------|------------------|
| SHIPPING WEIGHT<br>24620 lbs+ [11170] kg+ | OPERATING WEIGHT<br>33430 lbs+ [15165] kg+ | HEAVIEST SECTION WEIGHT<br>17840 lbs+ [8095] kg+ | NO. OF SHIPPING SECTIONS<br>3 | DRAWN BY:<br>SFR |
|---|--|--|-------------------------------|------------------|