

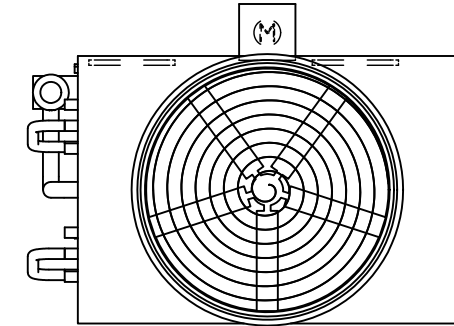
EVAPCO, INC.



UNIT CLOSED CIRCUIT COOLER	MODEL # eco-ATWB-H 9-1L12-U12	SCALE N.T.S	DWG. # EGH091202-DRC-ST	REV. -	DATE 12/14/2025	SERIAL #
-------------------------------	----------------------------------	----------------	----------------------------	-----------	--------------------	----------

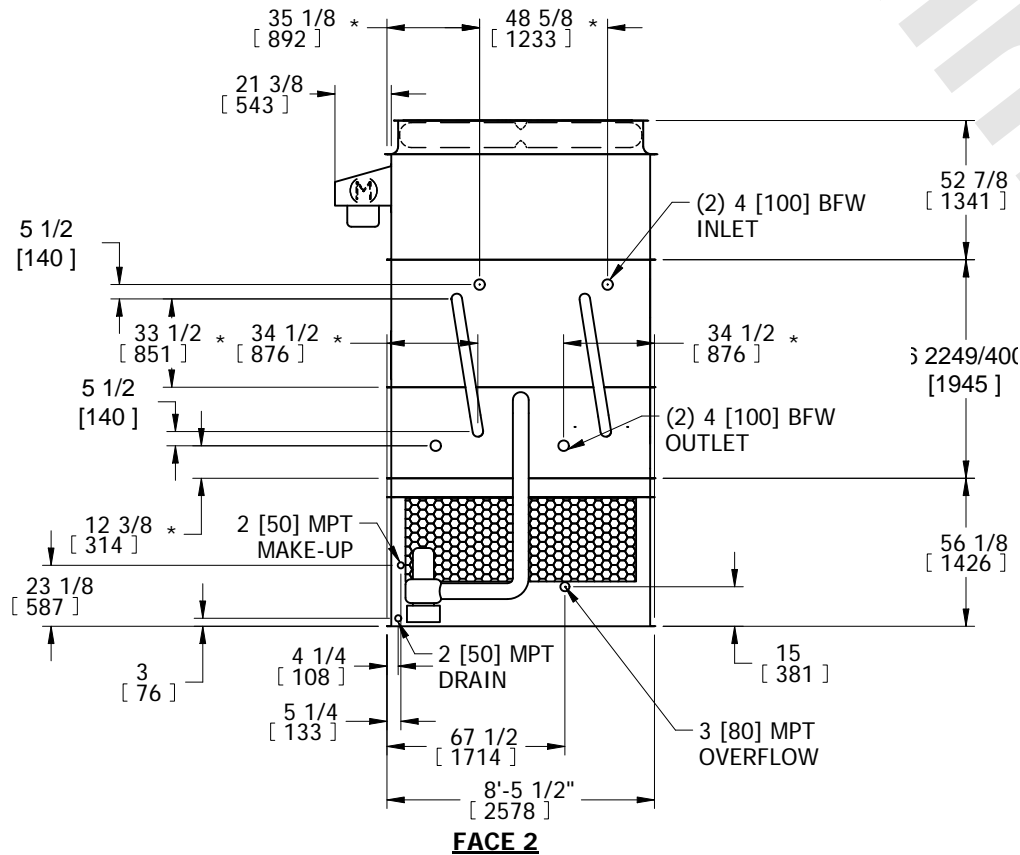
- NOTES:
- (M)- FAN MOTOR LOCATION
 - HEAVIEST SECTION IS COIL SECTION
 - MPT DENOTES MALE PIPE THREAD
FPT DENOTES FEMALE PIPE THREAD
BFW DENOTES BEVELED FOR WELDING
 - +UNIT WEIGHT DOES NOT INCLUDE ACCESSORIES (SEE ACCESSORY DRAWINGS)
 - MAKE-UP WATER PRESSURE
20 psi MIN [137 kPa], 50 psi MAX [344 kPa]

- DIMENSIONS LISTED AS FOLLOWS:
ENGLISH IN
[METRIC] [mm]
- * - APPROXIMATE DIMENSIONS DO NOT USE FOR PRE-FABRICATION OF CONNECTING PIPING.



**FACE 2
PLAN VIEW**

FACE 1



FACE 2

(2) 1/2 [15] FPT VENT

CROSSOVER PIPING

ACCESS DOORS

17 [432]

FACE 1

185 7/8 [4721]

11'-11 3/4" [3651]

SHIPPING WEIGHT 9970 lbs+ [4525] kg+	OPERATING WEIGHT 14140 lbs+ [6415] kg+	HEAVIEST SECTION WEIGHT 5600 lbs+ [2540] kg+	NO. OF SHIPPING SECTIONS 3	DRAWN BY: SFR
-----------------------------------------	-------------------------------------------	-------------------------------------------------	-------------------------------	------------------