

# EVAPCO, INC.



|                               |                                   |                 |                            |           |                   |          |
|-------------------------------|-----------------------------------|-----------------|----------------------------|-----------|-------------------|----------|
| UNIT<br>CLOSED CIRCUIT COOLER | MODEL #<br>eco-ATWB-H 12-2L12-U44 | SCALE<br>N.T.S. | DWG. #<br>EGH1212MR-DRB-ST | REV.<br>- | DATE<br>6/21/2026 | SERIAL # |
|-------------------------------|-----------------------------------|-----------------|----------------------------|-----------|-------------------|----------|

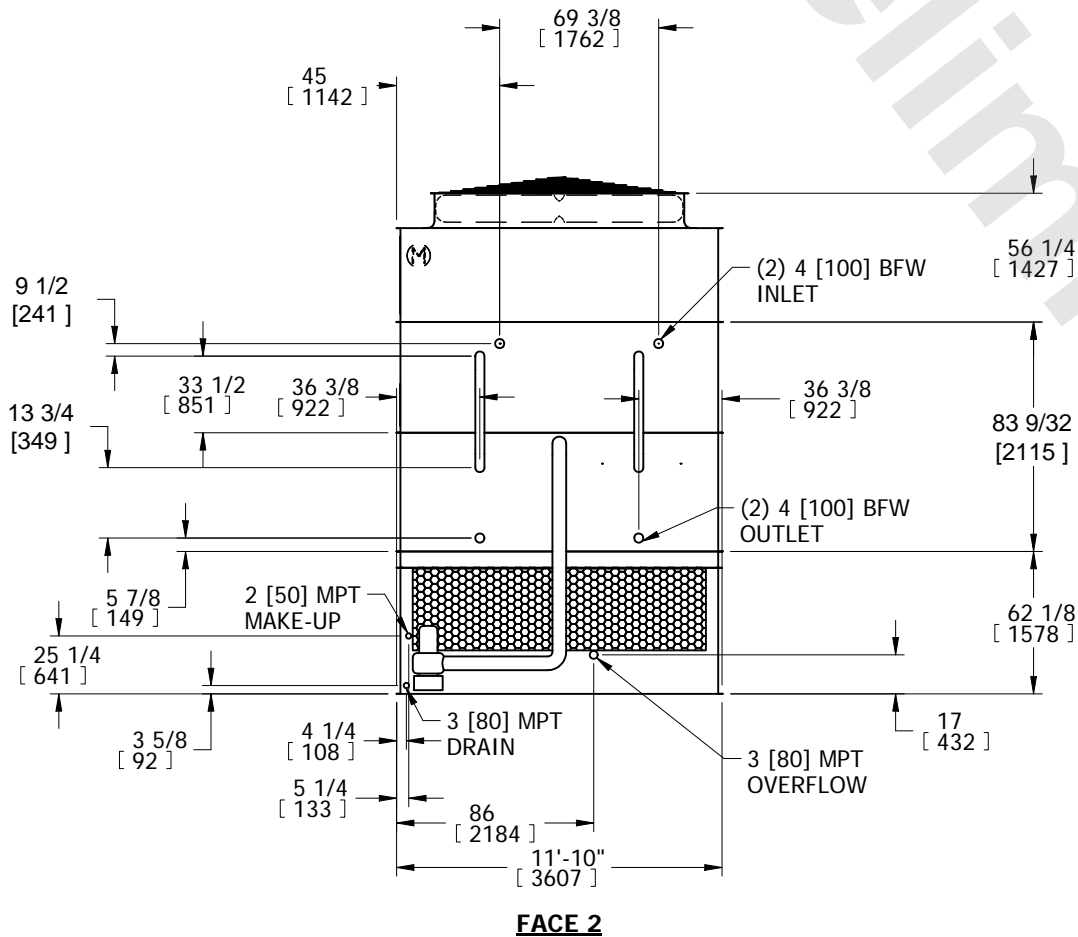
- NOTES:
- (M)- FAN MOTOR LOCATION
  - HEAVIEST SECTION IS COIL SECTION
  - MPT DENOTES MALE PIPE THREAD  
FPT DENOTES FEMALE PIPE THREAD  
BFW DENOTES BEVELED FOR WELDING
  - +UNIT WEIGHT DOES NOT INCLUDE ACCESSORIES (SEE ACCESSORY DRAWINGS)
  - MAKE-UP WATER PRESSURE  
20 psi MIN [137 kPa], 50 psi MAX [344 kPa]

- DIMENSIONS LISTED AS FOLLOWS:  
ENGLISH IN  
[METRIC] [mm]
- \* - APPROXIMATE DIMENSIONS DO NOT USE FOR PRE-FABRICATION OF CONNECTING PIPING.

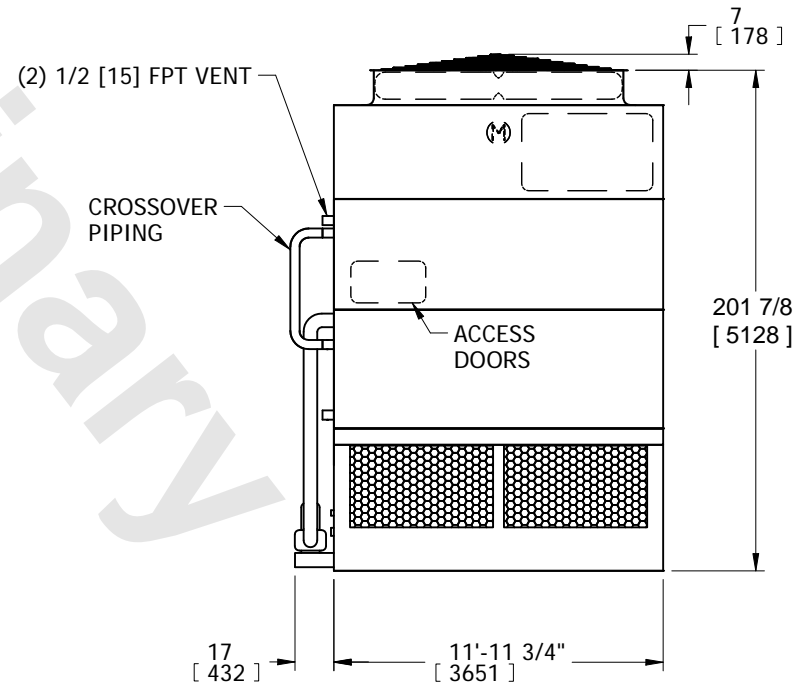
**FACE 2  
PLAN VIEW**



**FACE 1**



**FACE 2**



**FACE 1**

|  |  |  |                               |                  |
|--|--|--|-------------------------------|------------------|
| SHIPPING WEIGHT<br>19760 lbs+ [8965] kg+ | OPERATING WEIGHT<br>27900 lbs+ [12660] kg+ | HEAVIEST SECTION WEIGHT<br>14130 lbs+ [6410] kg+ | NO. OF SHIPPING SECTIONS<br>3 | DRAWN BY:<br>SFR |
|--|--|--|-------------------------------|------------------|