

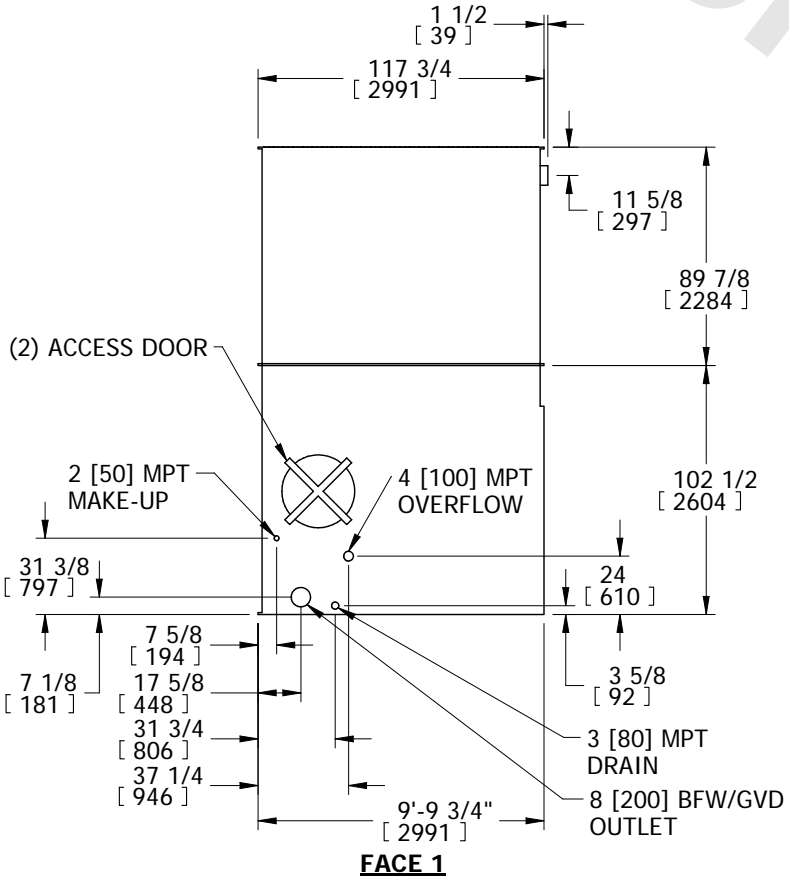
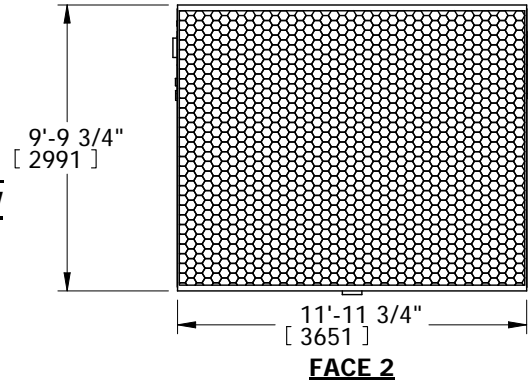
# EVAPCO, INC.



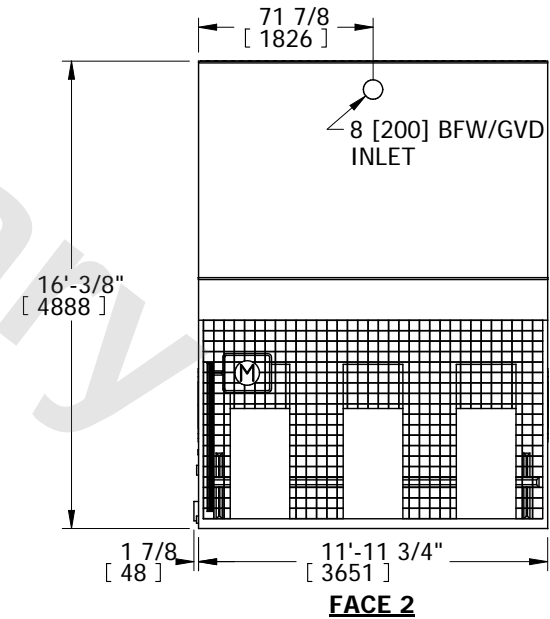
|                              |                       |                 |                            |           |                   |          |
|------------------------------|-----------------------|-----------------|----------------------------|-----------|-------------------|----------|
| UNIT<br><b>COOLING TOWER</b> | MODEL #<br>LSTE-10512 | SCALE<br>N.T.S. | DWG. #<br>TLETM1248-DRA-ST | REV.<br>- | DATE<br>5/24/2026 | SERIAL # |
|------------------------------|-----------------------|-----------------|----------------------------|-----------|-------------------|----------|

- NOTES:
- (M)- FAN MOTOR LOCATION
  - HEAVIEST SECTION IS LOWER SECTION
  - MPT DENOTES MALE PIPE THREAD  
FPT DENOTES FEMALE PIPE THREAD  
BFW DENOTES BEVELED FOR WELDING  
GVD DENOTES GROOVED FOR VICTAULIC
  - +UNIT WEIGHT DOES NOT INCLUDE ACCESSORIES (SEE ACCESSORY DRAWINGS)
  - MAKE-UP WATER PRESSURE  
20 psi MIN [137 kPa], 50 psi MAX [344 kPa]
  - 3/4" [19mm] DIA. MOUNTING HOLES. REFER TO RECOMMENDED STEEL SUPPORT DRAWING
  - DIMENSIONS LISTED AS FOLLOWS: ENGLISH IN [METRIC] [mm]

**FACE 1  
PLAN VIEW**



**FACE 1**



**FACE 2**

|   |   |   |                               |
|---|---|---|-------------------------------|
| SHIPPING WEIGHT<br>8830 lbs+ [4005] kg+ | OPERATING WEIGHT<br>14740 lbs+ [6686] kg+ | HEAVIEST SECTION WEIGHT<br>5240 lbs+ [2377] kg+ | NO. OF SHIPPING SECTIONS<br>2 |
|---|---|---|-------------------------------|