

|         |               |
|---------|---------------|
| UNIT    | COOLING TOWER |
| MODEL # | LPT-539       |
| SCALE   | NTS           |

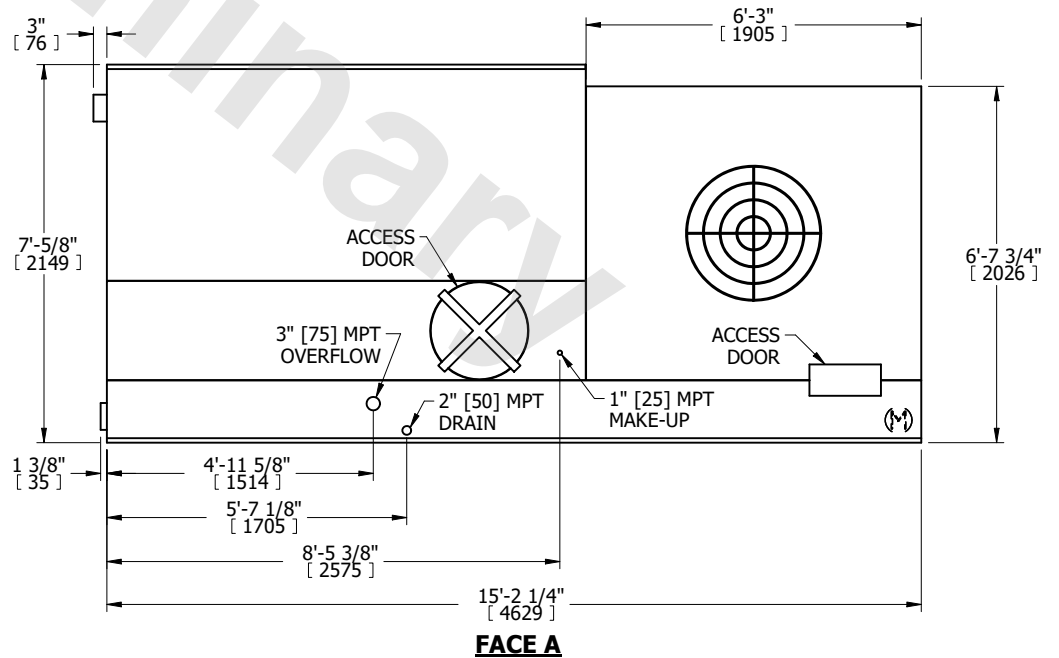
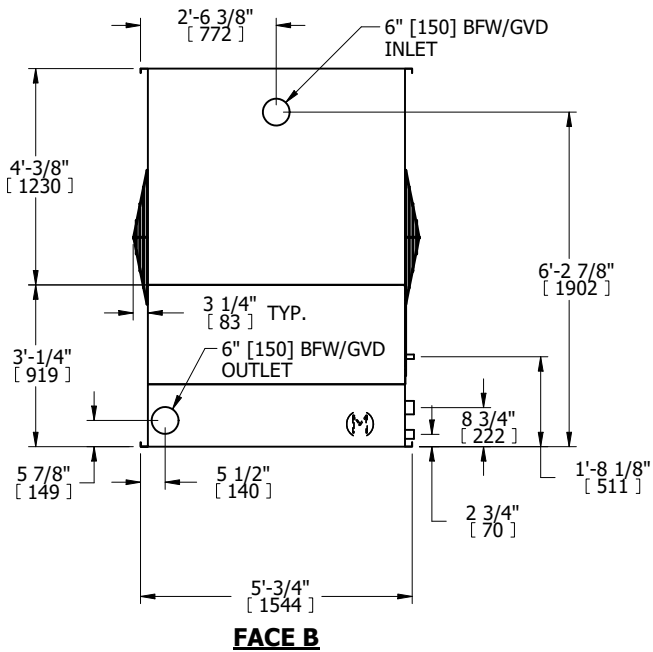
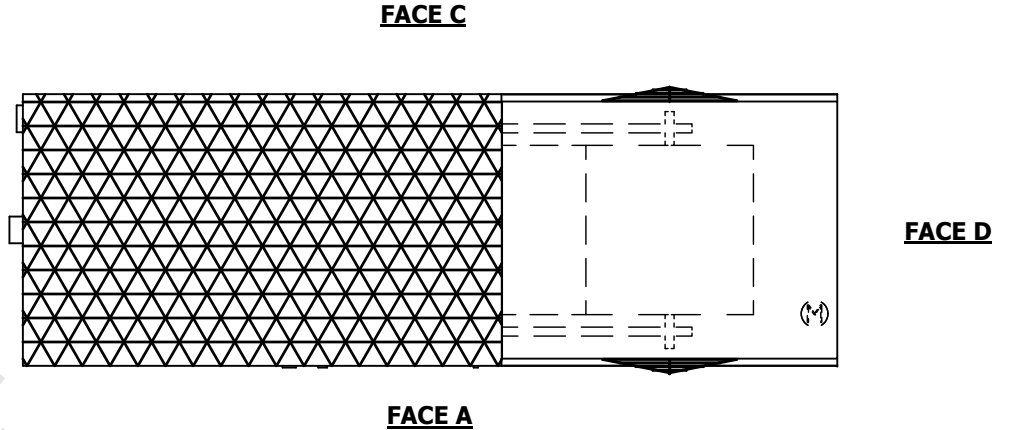
# EVAPCO, INC.



|          |                 |      |           |
|----------|-----------------|------|-----------|
| DWG. #   | TV05092F-DRE-ST | REV. | -         |
| SERIAL # |                 | DATE | 5/14/2026 |

- NOTES:
- (M) FAN MOTOR LOCATION
  - MPT DENOTES MALE PIPE THREAD  
FPT DENOTES FEMALE PIPE THREAD  
BFW DENOTES BEVELED FOR WELDING  
GVD DENOTES GROOVED  
FLG DENOTES FLANGE
  - + UNIT WEIGHT DOES NOT INCLUDE ACCESSORIES (SEE SEPARATE DRAWINGS FOR ACCESSORIES)
  - 3/4" DIA. MOUNTING HOLES. REFER TO RECOMMENDED STEEL SUPPORT DRAWING
  - MAKE-UP WATER PRESSURE-20 psi MIN, 50 psi MAX
  - DIMENSIONS LISTED AS FOLLOWS:  
ENGLISH FT-IN  
[METRIC] [mm]

**FACE B**  
**PLAN VIEW**



|                 |                      |                  |                      |                         |                      |                          |   |           |     |
|-----------------|----------------------|------------------|----------------------|-------------------------|----------------------|--------------------------|---|-----------|-----|
| SHIPPING WEIGHT | 2990 lbs+ [1360] kg+ | OPERATING WEIGHT | 5590 lbs+ [2540] kg+ | HEAVIEST SECTION WEIGHT | 2990 lbs+ [1360] kg+ | NO. OF SHIPPING SECTIONS | 1 | DRAWN BY: | JLG |
|-----------------|----------------------|------------------|----------------------|-------------------------|----------------------|--------------------------|---|-----------|-----|