

|         |               |
|---------|---------------|
| UNIT    | COOLING TOWER |
| MODEL # | LPT-5512U     |
| SCALE   | NTS           |

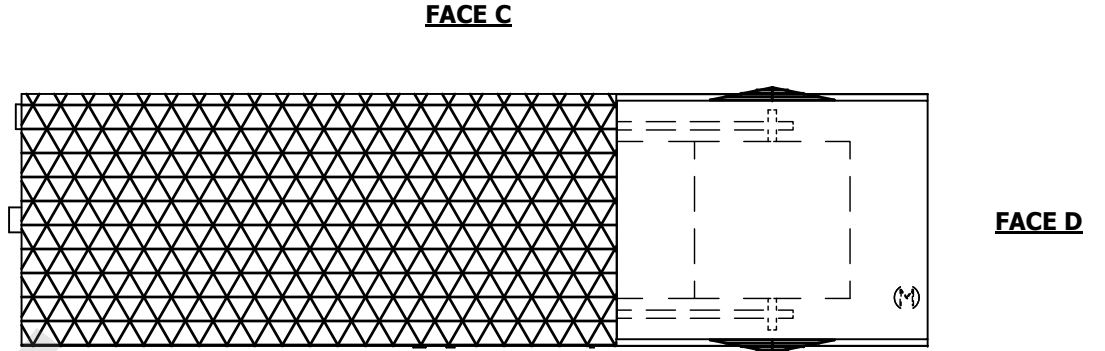
# EVAPCO, INC.



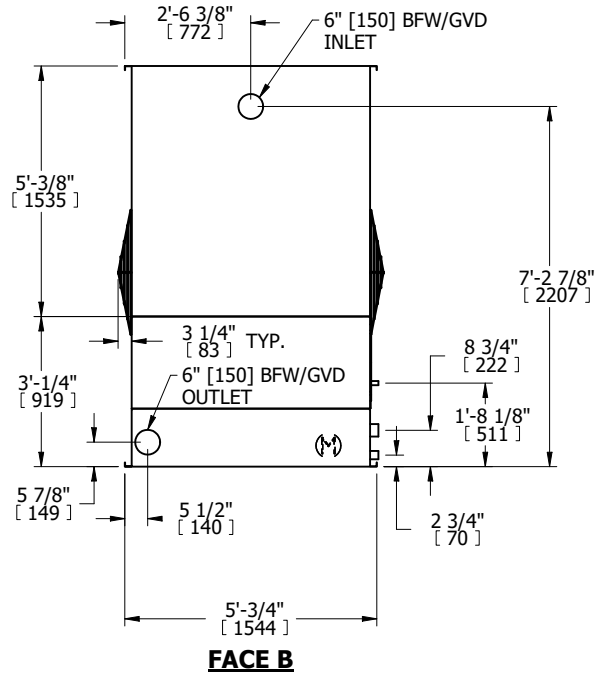
|          |                 |      |          |
|----------|-----------------|------|----------|
| DWG. #   | TV05123P-DRE-ST | REV. | -        |
| SERIAL # |                 | DATE | 7/4/2026 |

- NOTES:
- M - FAN MOTOR LOCATION
  - MPT DENOTES MALE PIPE THREAD  
(FP) DENOTES FEMALE PIPE THREAD  
BFW DENOTES BEVELED FOR WELDING  
GVD DENOTES GROOVED  
FLG DENOTES FLANGE
  - + UNIT WEIGHT DOES NOT INCLUDE ACCESSORIES (SEE SEPARATE DRAWINGS FOR ACCESSORIES)
  - 3/4" DIA. MOUNTING HOLES. REFER TO RECOMMENDED STEEL SUPPORT DRAWING
  - MAKE-UP WATER PRESSURE-20 psi MIN, 50 psi MAX
  - DIMENSIONS LISTED AS FOLLOWS:  
ENGLISH FT-IN  
[METRIC] MM

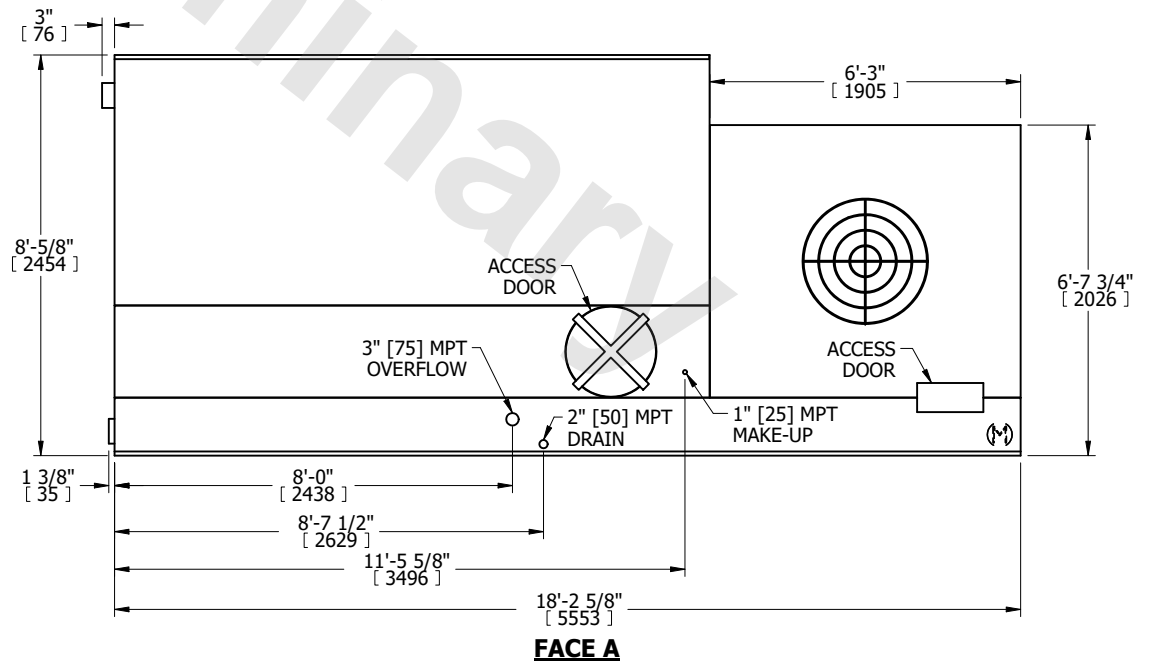
**FACE B**  
**PLAN VIEW**



**FACE A**



**FACE B**



**FACE A**

|                 |                      |                  |                      |                         |                      |                          |   |           |     |
|-----------------|----------------------|------------------|----------------------|-------------------------|----------------------|--------------------------|---|-----------|-----|
| SHIPPING WEIGHT | 3700 lbs+ [1680] kg+ | OPERATING WEIGHT | 7250 lbs+ [3290] kg+ | HEAVIEST SECTION WEIGHT | 3700 lbs+ [1680] kg+ | NO. OF SHIPPING SECTIONS | 1 | DRAWN BY: | JLG |
|-----------------|----------------------|------------------|----------------------|-------------------------|----------------------|--------------------------|---|-----------|-----|