

UNIT	<b>COOLING TOWER</b>	
MODEL #	AXS 14-11M24	SCALE

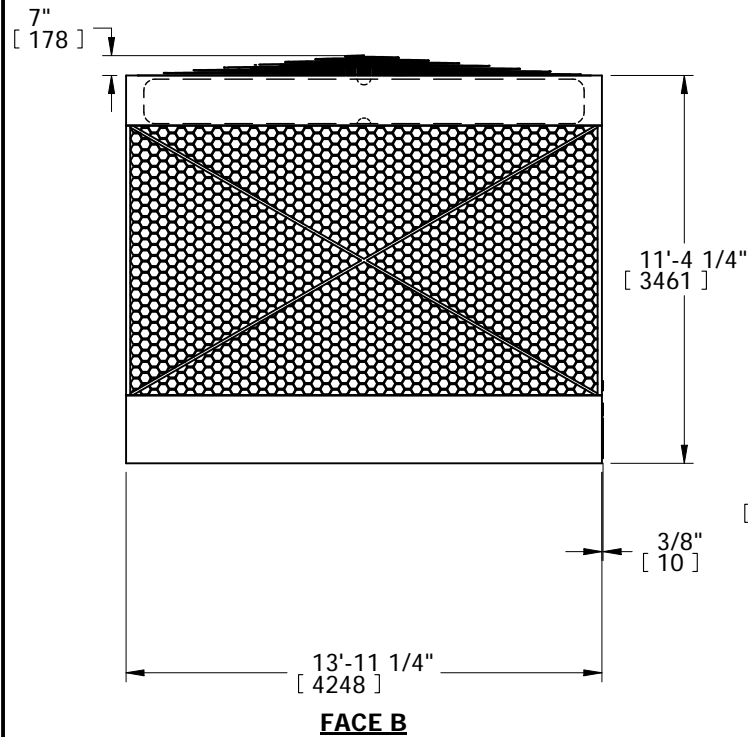
# EVAPCO, INC.



DWG. #	AX142409-DRA-ST	REV.	-
SERIAL #		DATE	4/29/2026

- NOTES:
- (M)- FAN MOTOR LOCATION
  - MPT DENOTES MALE PIPE THREAD  
FPT DENOTES FEMALE PIPE THREAD  
BFW DENOTES BEVELED FOR WELDING  
GVD DENOTES GROOVED
  - +UNIT WEIGHT DOES NOT INCLUDE ACCESSORIES (SEE ACCESSORY DRAWINGS)
  - MAKE-UP WATER PRESSURE  
20 psi MIN [137 kPa], 50 psi MAX [344 kPa]
  - 3/4" DIA. MOUNTING HOLES. REFER TO RECOMMENDED STEEL SUPPORT DRAWING.
  - DIMENSIONS LISTED AS FOLLOWS: ENGLISH IN [METRIC] [mm]

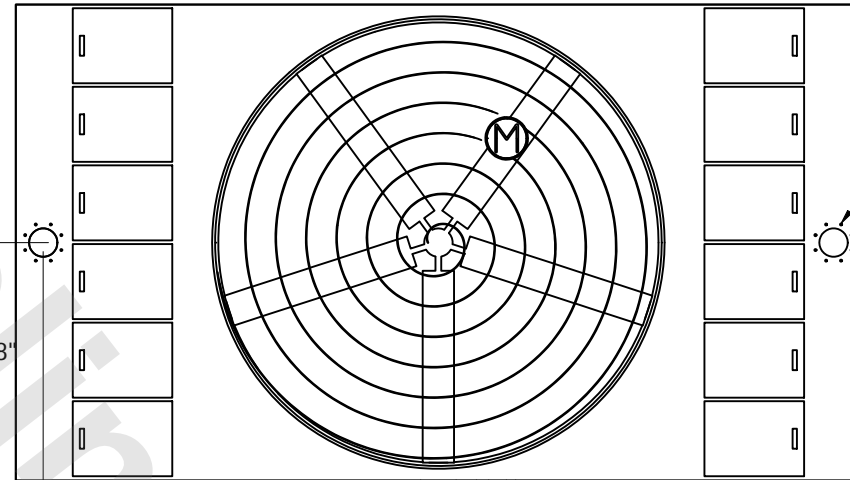
**FACE B  
PLAN VIEW**



6'-11 5/8"  
[2124]

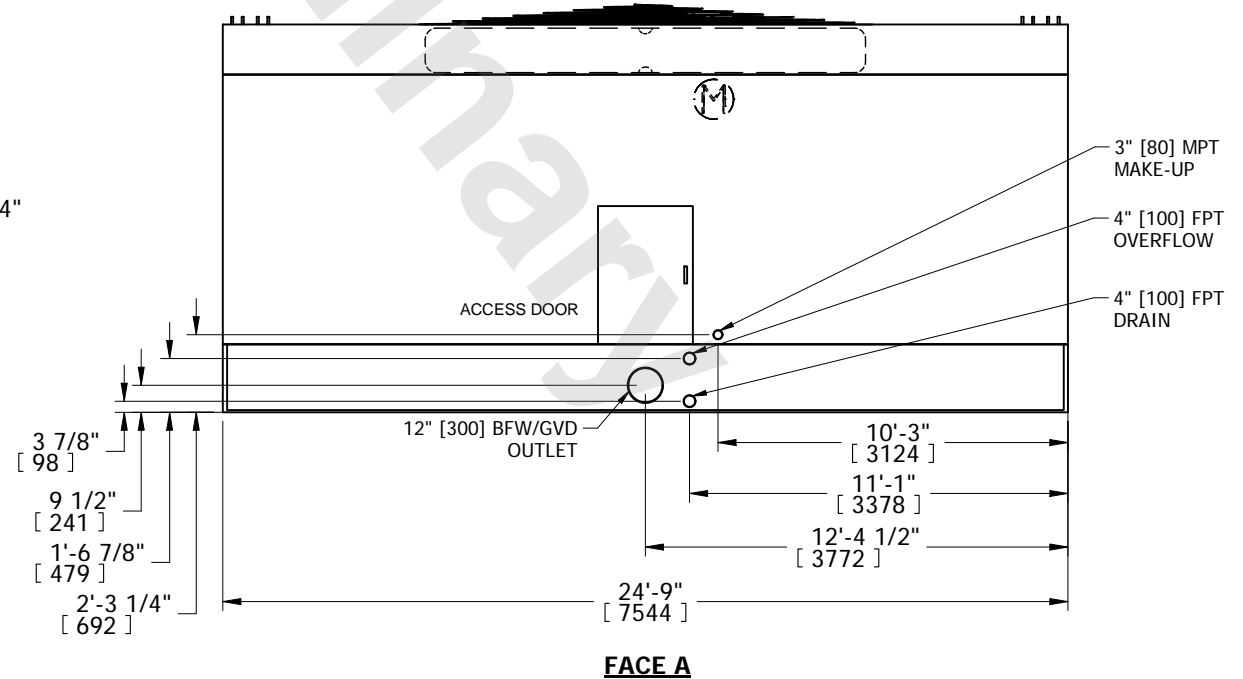
9 5/8"  
[245]

**FACE C**  
ACCESS DOOR



(2) 10" [250] ASME  
150 BOLT PATTERN  
INLET  
**FACE D**

**FACE A**



3" [80] MPT  
MAKE-UP  
4" [100] FPT  
OVERFLOW  
4" [100] FPT  
DRAIN

**FACE A**

SHIPPING WEIGHT	14590 lbs+ [6620] kg+	OPERATING WEIGHT	32500 lbs+ [14745] kg+	HEIEST SECTION WEIGHT	14590 lbs+ [6620] kg+	NO. OF SHIPPING SECTIONS	1	DRAWN BY:	SLR
-----------------	-----------------------	------------------	------------------------	-----------------------	-----------------------	--------------------------	---	-----------	-----