

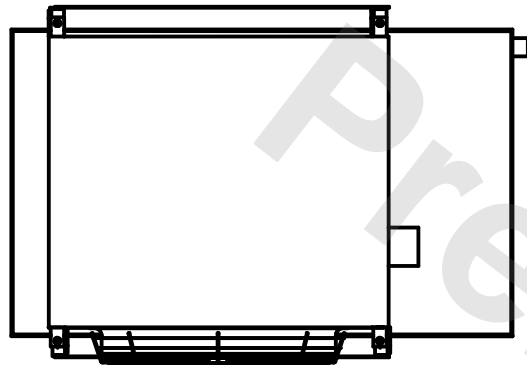
CONFIDENTIAL

This document is the property of Evapco, Inc. It should not be copied or disclosed without prior written authorization.

# EVAPCO, INC.

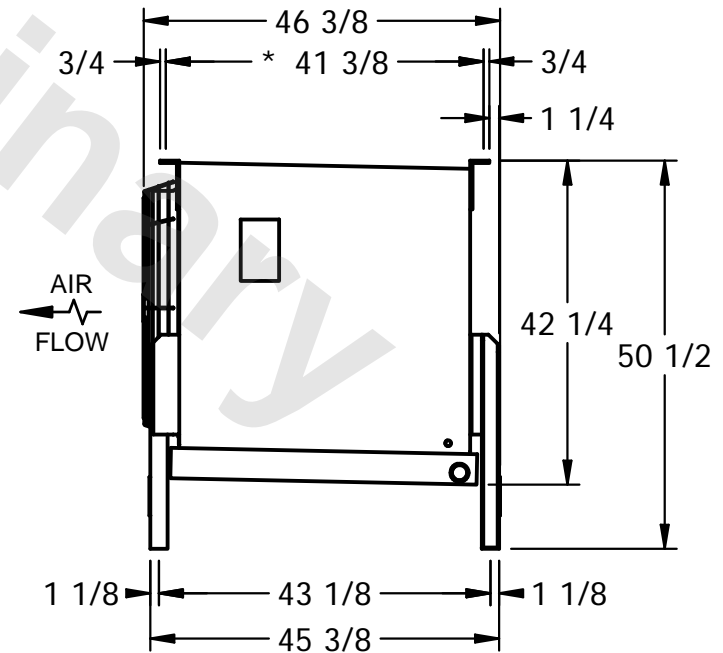
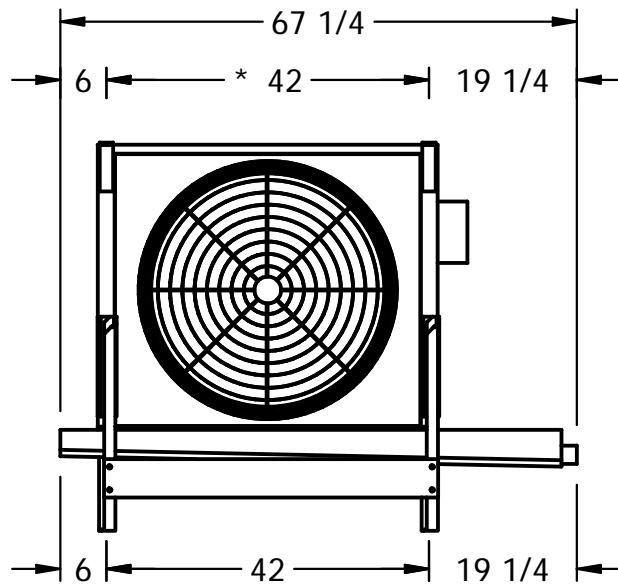


|          |                             |              |                    |        |                |
|----------|-----------------------------|--------------|--------------------|--------|----------------|
| CUSTOMER | MODEL # SSTMB1-983H0500F1LA | SCALE N.T.S. | DWG. # STMC1-SE-16 | REV. 0 | DATE 6/26/2026 |
|----------|-----------------------------|--------------|--------------------|--------|----------------|



NOTES:

- 1) \* = HANGER HOLE LOCATION.
- 2) RIGHT HAND MODEL SHOWN.
- 3) HANGER HOLES ARE FOR 3/4 INCH THREADED ROD.
- 4) WATER DEFROST ADDS 1 3/4" INCHES TO HEIGHT OF STANDARD UNIT AND CHANGES DRAIN SIZE.
- 5) ALL DIMENSIONS ARE FOR REFERENCE AND SHOULD NOT BE USED FOR PREFABRICATION OF PIPING OR SUPPORTS.



|         |      |                         |                          |
|---------|------|-------------------------|--------------------------|
| PROJECT | ROOM | SHIPPING WEIGHT 730 lbs | OPERATING WEIGHT 810 lbs |
|---------|------|-------------------------|--------------------------|