

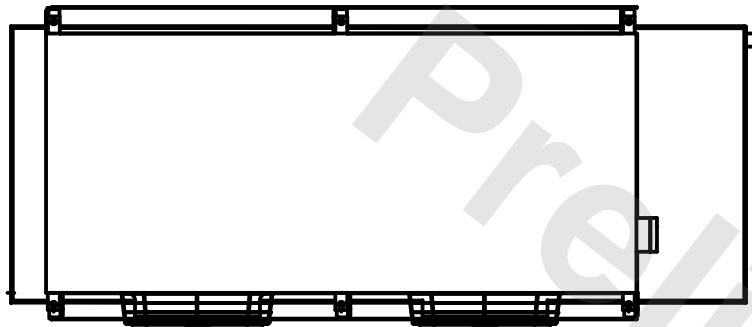
CONFIDENTIAL

This document is the property of Evapco, Inc. It should not be copied or disclosed without prior written authorization.

# EVAPCO, INC.

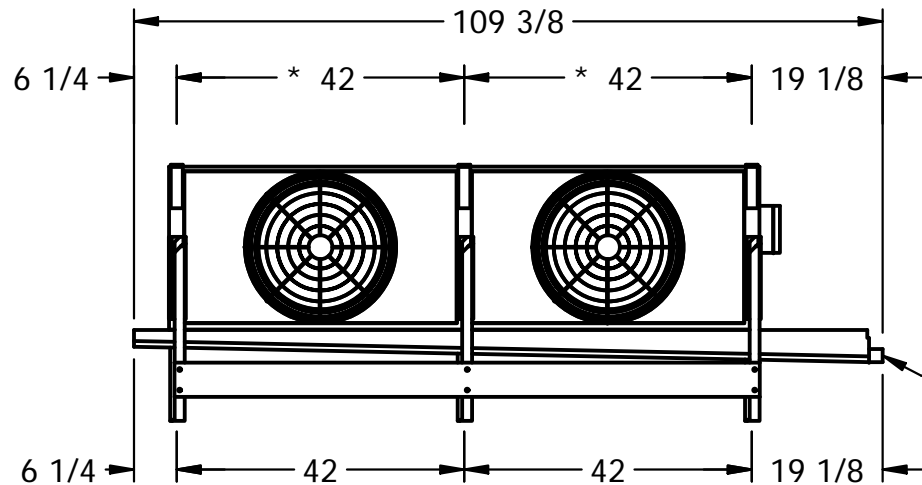


CUSTOMER	MODEL # SSTXB2-14104H0050A1MA	SCALE N.T.S.	DWG. # STXC2-SE-12	REV. 1	DATE 12/13/2025
----------	-------------------------------	--------------	--------------------	--------	-----------------

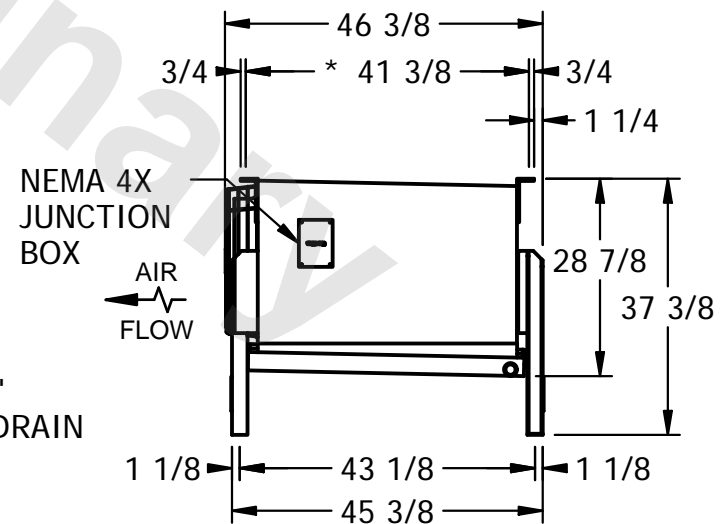


NOTES:

- 1) \* = HANGER HOLE LOCATION.
- 2) RIGHT HAND MODEL SHOWN.
- 3) HANGER HOLES ARE FOR 3/4 INCH THREADED ROD.
- 4) WATER DEFROST ADDS 6 1/2" INCHES TO HEIGHT AND 5" INCHES TO WIDTH OF STANDARD UNIT AND CHANGES THE DRAIN SIZE.
- 5) ALL DIMENSIONS ARE FOR REFERENCE AND SHOULD NOT BE USED FOR PREFABRICATION OF PIPING OR SUPPORTS.



1 1/2" MPT DRAIN



PROJECT	ROOM	SHIPPING WEIGHT 1140 lbs	OPERATING WEIGHT 1310 lbs
---------	------	--------------------------	---------------------------