

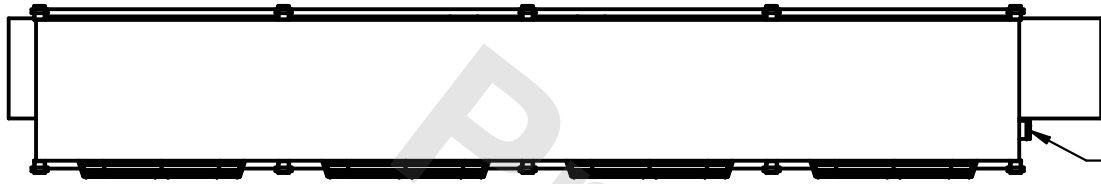
CONFIDENTIAL

This document is the property of Evapco, Inc. It should not be copied or disclosed without prior written authorization.

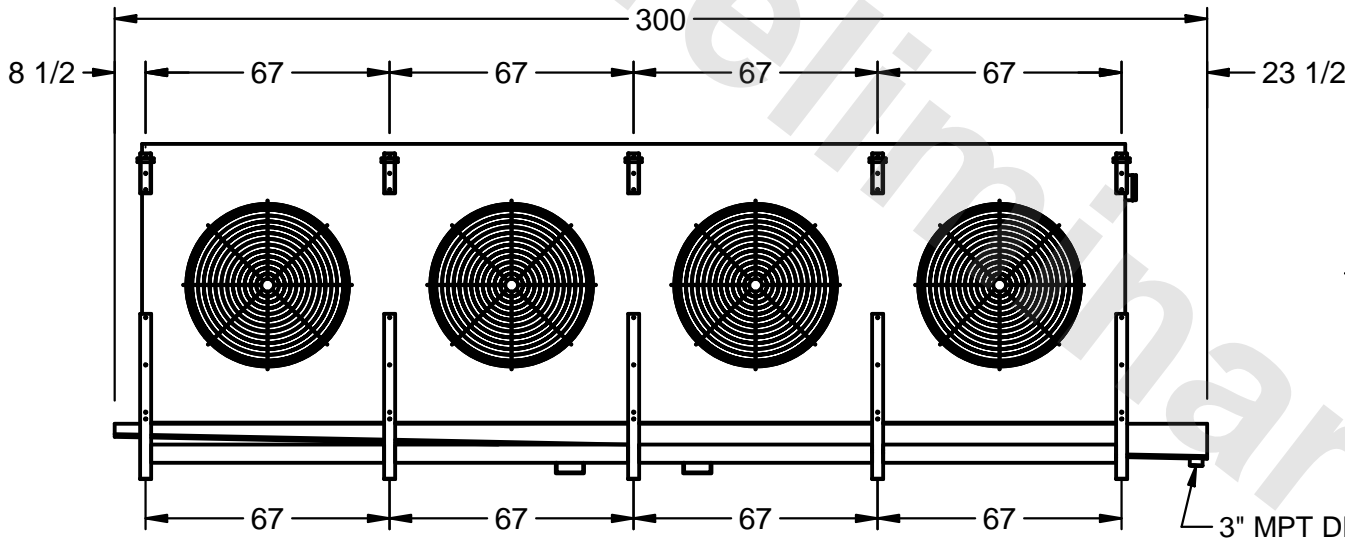
EVAPCO, INC.



CUSTOMER	MODEL # SSTLB4-1346WE0750L2KA	SCALE N.T.S.	DWG. # STL4-SE-24-FL	REV. 1	DATE 5/15/2026
----------	----------------------------------	-----------------	-------------------------	--------	-------------------



NEMA 4X
JUNCTION
BOX



AIR
FLOW



3" MPT DRAIN

NOTES:

- 1) RIGHT HAND MODEL SHOWN.
- 2) ALL DIMENSIONS ARE FOR REFERENCE AND SHOULD NOT BE USED FOR PREFABRICATION OF PIPING OR SUPPORTS.
- 3) WATER DEFROST ADDS 6 INCHES TO HEIGHT OF STANDARD UNIT AND CHANGES DRAIN SIZE.
- 4) HANGER HOLES ARE FOR 3/4 INCH THREADED ROD.

PROJECT	ROOM	SHIPPING WEIGHT 7890 lbs	OPERATING WEIGHT 9190 lbs
---------	------	--------------------------	---------------------------