

CONFIDENTIAL

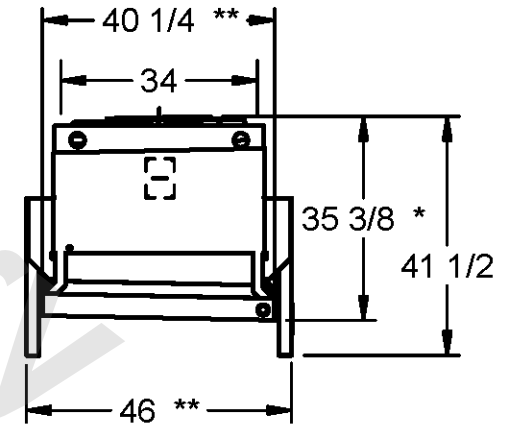
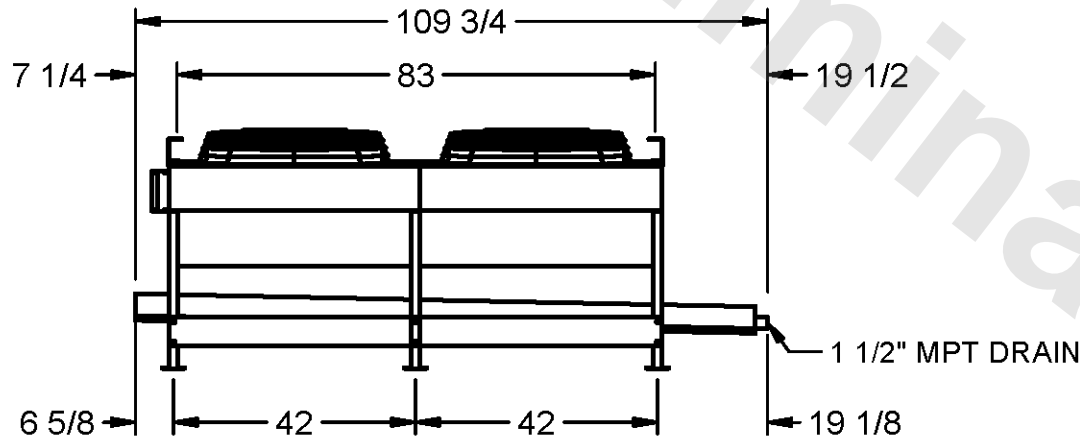
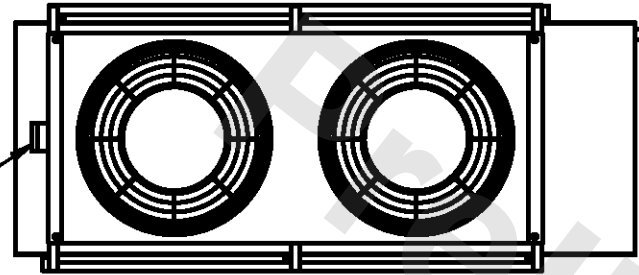
This document is the property of Evapco, Inc. It should not be copied or disclosed without prior written authorization.

# EVAPCO, INC.



|          |                               |              |                   |        |                |
|----------|-------------------------------|--------------|-------------------|--------|----------------|
| CUSTOMER | MODEL # SSTWB2-19R46E0075F3LA | SCALE N.T.S. | DWG.# STWA2-SE-4L | REV. 0 | DATE 6/26/2026 |
|----------|-------------------------------|--------------|-------------------|--------|----------------|

NEMA 4X  
JUNCTION  
BOX



### NOTES

- 1) ALL DIMENSIONS ARE FOR REFERENCE AND SHOULD NOT BE USED FOR PREFABRICATION OF PIPING OR SUPPORTS.
- 2) HANGER HOLES ARE FOR 3/4 INCH THREADED ROD.
- \* HOT GAS DEFROST ADDS 1/2 INCH TO THE HEIGHT OF A STANDARD UNIT, WATER DEFROST ADDS 6 INCHES TO THE HEIGHT OF A STANDARD UNIT AND CHANGES THE DRAIN SIZE.
- \*\* EXTENDED WIDTH DRAIN PAN ADDS 6 INCHES TO THE WIDTH OF A STANDARD UNIT.

|         |      |                                    |                                      |
|---------|------|------------------------------------|--------------------------------------|
| PROJECT | ROOM | SHIPPING WEIGHT 940 lbs+ [430] kg+ | OPERATING WEIGHT 1080 lbs+ [490] kg+ |
|---------|------|------------------------------------|--------------------------------------|