

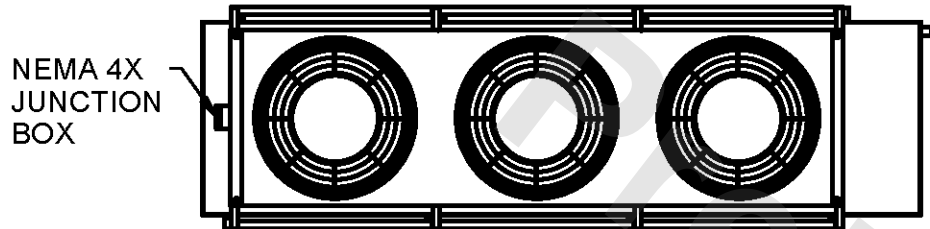
CONFIDENTIAL

This document is the property of Evapco, Inc. It should not be copied or disclosed without prior written authorization.

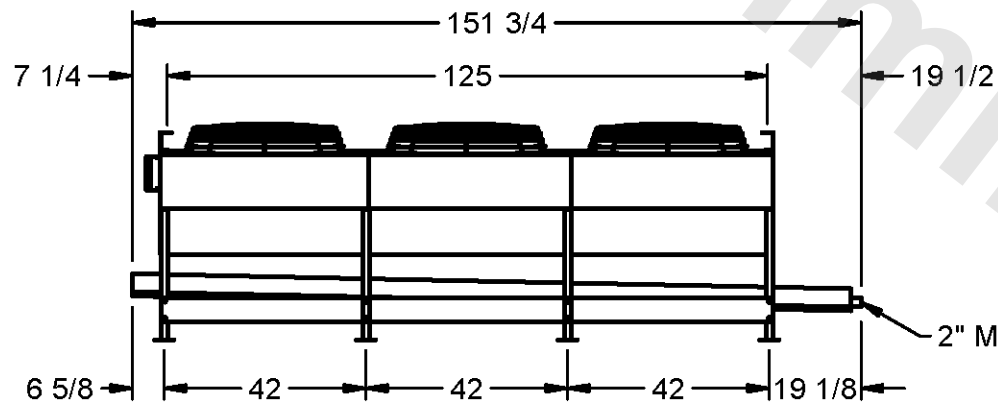
EVAPCO, INC.



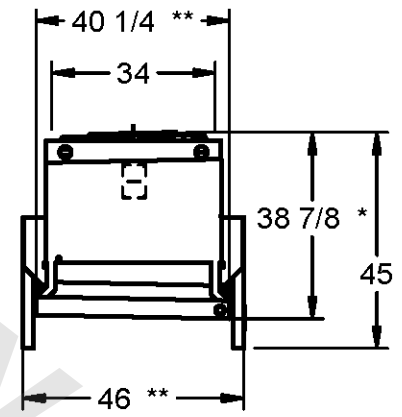
| | | | | | |
|----------|-------------------------------|--------------|-------------------|--------|----------------|
| CUSTOMER | MODEL # SSTWB3-28S63E0100F1LA | SCALE N.T.S. | DWG.# STWA3-SE-6L | REV. 0 | DATE 4/27/2026 |
|----------|-------------------------------|--------------|-------------------|--------|----------------|



NEMA 4X
JUNCTION
BOX



2" MPT DRAIN



NOTES

- 1) ALL DIMENSIONS ARE FOR REFERENCE AND SHOULD NOT BE USED FOR PREFABRICATION OF PIPING OR SUPPORTS.
- 2) HANGER HOLES ARE FOR 3/4 INCH THREADED ROD.
- * HOT GAS DEFROST ADDS 1/2 INCH TO THE HEIGHT OF A STANDARD UNIT, WATER DEFROST ADDS 6 INCHES TO THE HEIGHT OF A STANDARD UNIT AND CHANGES THE DRAIN SIZE.
- ** EXTENDED WIDTH DRAIN PAN ADDS 6 INCHES TO THE WIDTH OF A STANDARD UNIT.

| | | | |
|---------|------|-------------------------------------|--------------------------------------|
| PROJECT | ROOM | SHIPPING WEIGHT 1310 lbs+ [595] kg+ | OPERATING WEIGHT 1510 lbs+ [685] kg+ |
|---------|------|-------------------------------------|--------------------------------------|