

# EVAPCO, INC.



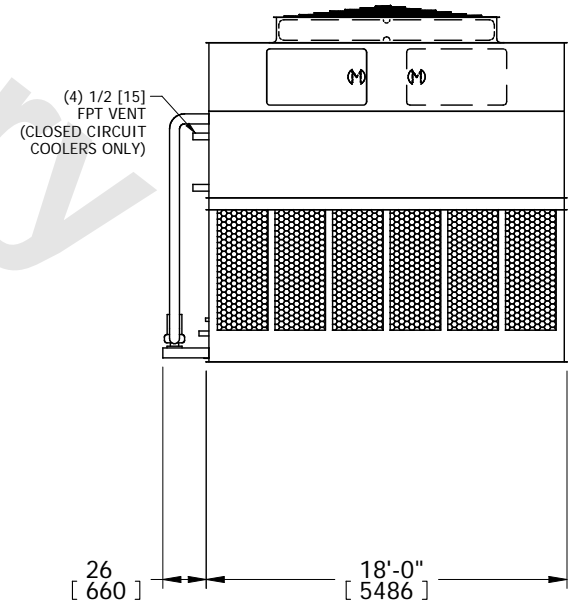
|                          |                          |                 |                           |           |                  |          |
|--------------------------|--------------------------|-----------------|---------------------------|-----------|------------------|----------|
| UNIT<br><b>CONDENSER</b> | MODEL #<br>eco-ATC-1401A | SCALE<br>N.T.S. | DWG. #<br>EG241808-DRA-ST | REV.<br>- | DATE<br>4/5/2026 | SERIAL # |
|--------------------------|--------------------------|-----------------|---------------------------|-----------|------------------|----------|

- NOTES:
- (M)- FAN MOTOR LOCATION
  - HEAVIEST SECTION IS UPPER SECTION
  - MPT DENOTES MALE PIPE THREAD  
FPT DENOTES FEMALE PIPE THREAD  
BFW DENOTES BEVELED FOR WELDING
  - +UNIT WEIGHT DOES NOT INCLUDE ACCESSORIES (SEE ACCESSORY DRAWINGS)
  - MAKE-UP WATER PRESSURE  
20 psi MIN [137 kPa], 50 psi MAX [344 kPa]
  - \* -APPROXIMATE DIMENSIONS DO NOT USE FOR PRE-FABRICATION OF CONNECTING PIPING
  - VENT PROVIDED ON CLOSED CIRCUIT COOLERS ONLY

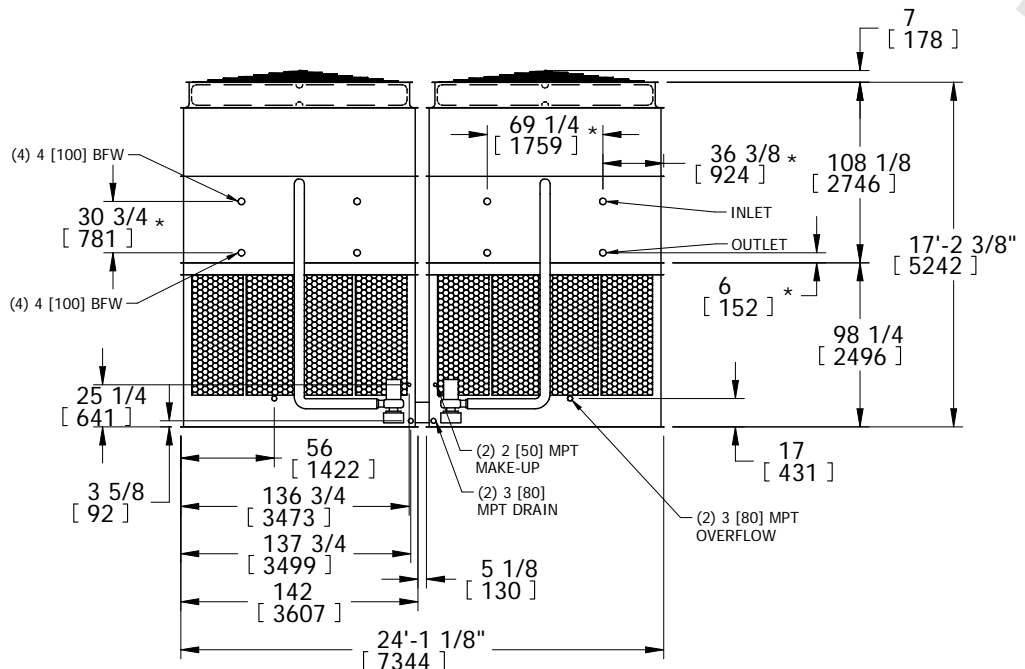
Preliminary



**FACE 1**



**FACE 1**



|  |   |  |                                      |
|--|---|--|--------------------------------------|
| SHIPPING WEIGHT<br><b>58120 lbs+ [26365] kg+</b> | OPERATING WEIGHT<br><b>78600 lbs+ [35655] kg+</b> | HEAVIEST SECTION WEIGHT<br><b>25140 lbs+ [11405] kg+</b> | NO. OF SHIPPING SECTIONS<br><b>4</b> |
|--|---|--|--------------------------------------|