

UNIT	CONDENSER	
MODEL #	eco-ATC-891A	SCALE NTS

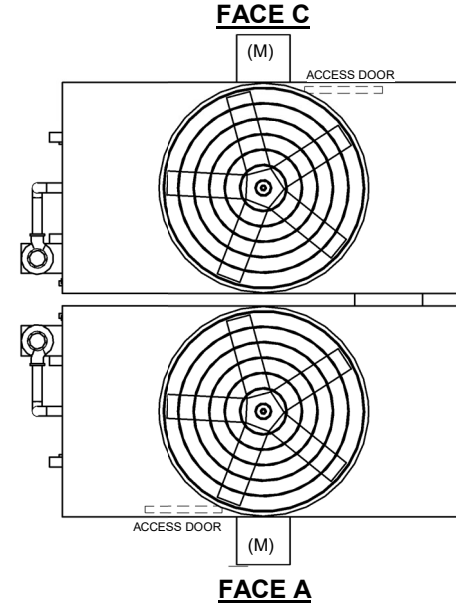
# EVAPCO, INC.

DWG. #	CW4C141412-DRB-ST	REV	-
SERIAL #		DATE:	4/5/2026

**NOTES**

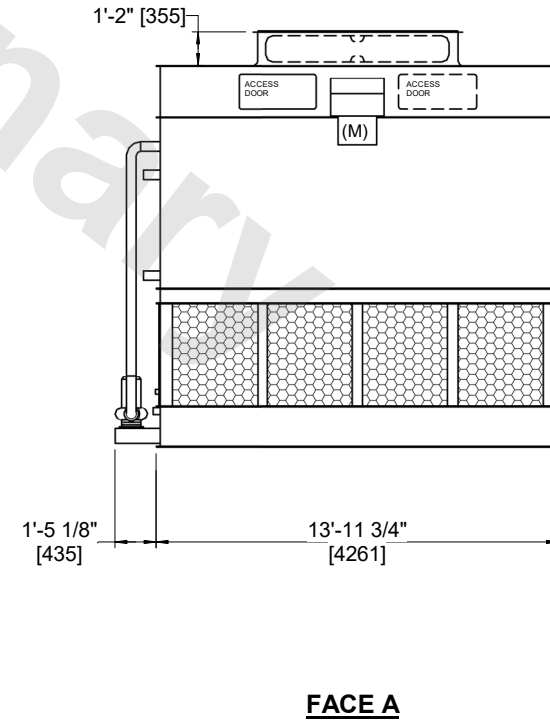
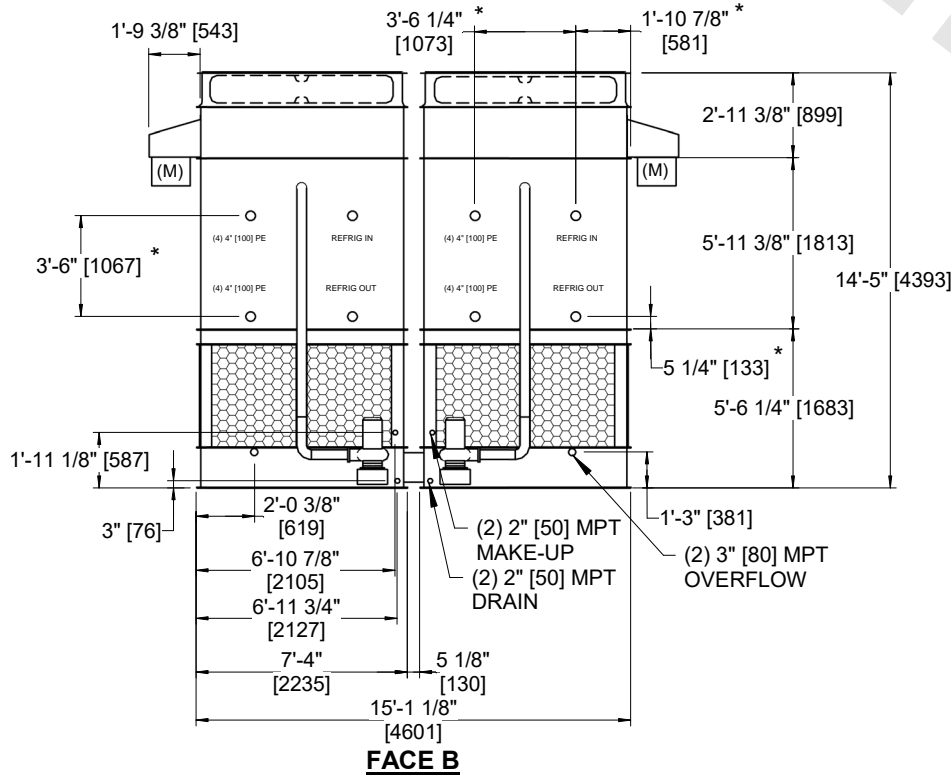
- (M)- FAN MOTOR LOCATION
- HEAVIEST SECTION IS FAN/CASING SECTION
- MPT DENOTES MALE PIPE THREAD  
FPT DENOTES FEMALE PIPE THREAD  
BFW DENOTES BEVELED FOR WELDING  
GVD DENOTES GROOVED  
FLG DENOTES FLANGE  
PE DENOTES PLAIN END
- +UNIT WEIGHT DOES NOT INCLUDE ACCESSORIES (SEE ACCESSORY DRAWINGS)
- MAKE-UP WATER PRESSURE  
20 psi MIN [137 kPa], 50 psi MAX [344 kPa]
- \*-APPROXIMATE DIMENSIONS DO NOT USE FOR PRE-FABRICATION OF CONNECTING PIPING
- 3/4" [19mm] DIA. MOUNTING HOLES. REFER TO RECOMMENDED STEEL SUPPORT DRAWING.
- DIMENSIONS LISTED AS FOLLOWS:  
ENGLISH FT-IN  
METRIC [mm]

Preliminary



**FACE B  
PLAN VIEW**

**FACE D**



SHIPPING WEIGHT	38720 lbs+ [17565] kg+
-----------------	------------------------

OPERATING WEIGHT	40740 lbs+ [18480] kg+
------------------	------------------------

HEAVIEST SECTION WEIGHT	17170 lbs+ [7790] kg+
-------------------------	-----------------------

NO. OF SHIPPING SECTIONS	4
--------------------------	---

DRAWN BY:	JLG
-----------	-----