

CONFIDENTIAL

This document is the property of Evapco, Inc. It should not be copied or disclosed without prior written authorization

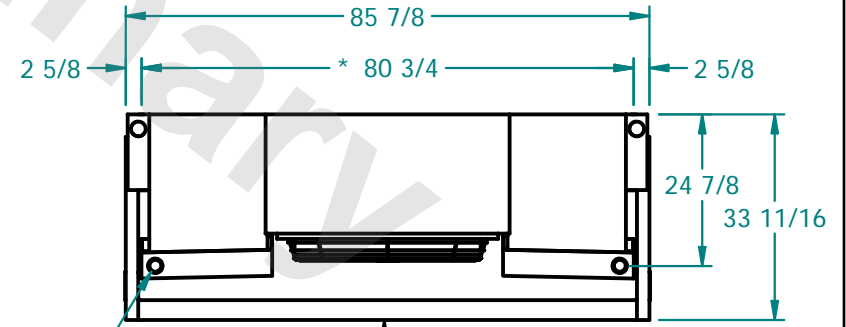
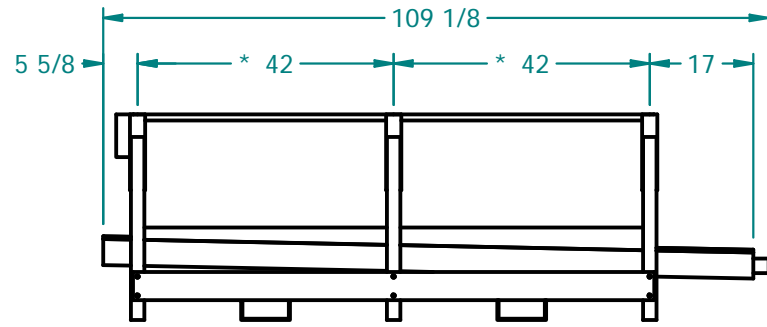
# EVAPCO, INC.



|          |                                |              |                |        |                |
|----------|--------------------------------|--------------|----------------|--------|----------------|
| CUSTOMER | MODEL # SSTDB2-1966E0050F3KA-B | SCALE N.T.S. | DWG. # STD2-BT | REV. 0 | DATE 6/19/2026 |
|----------|--------------------------------|--------------|----------------|--------|----------------|



NEMA 4X JUNCTION BOX



2.0" MPT DRAIN TYP. 2

AIR FLOW BLOW THROUGH

- NOTES :**
- 1) \* = HANGER HOLE LOCATION.
  - 2) ALL DIMENSIONS ARE FOR REFERENCE AND SHOULD NOT BE USED FOR PREFABRICATION OF PIPING OR SUPPORTS.
  - 3) HANGER HOLES ARE FOR 3/4 INCH THREADED ROD.

|         |      |                          |                           |
|---------|------|--------------------------|---------------------------|
| PROJECT | ROOM | SHIPPING WEIGHT 1220 lbs | OPERATING WEIGHT 1430 lbs |
|---------|------|--------------------------|---------------------------|