

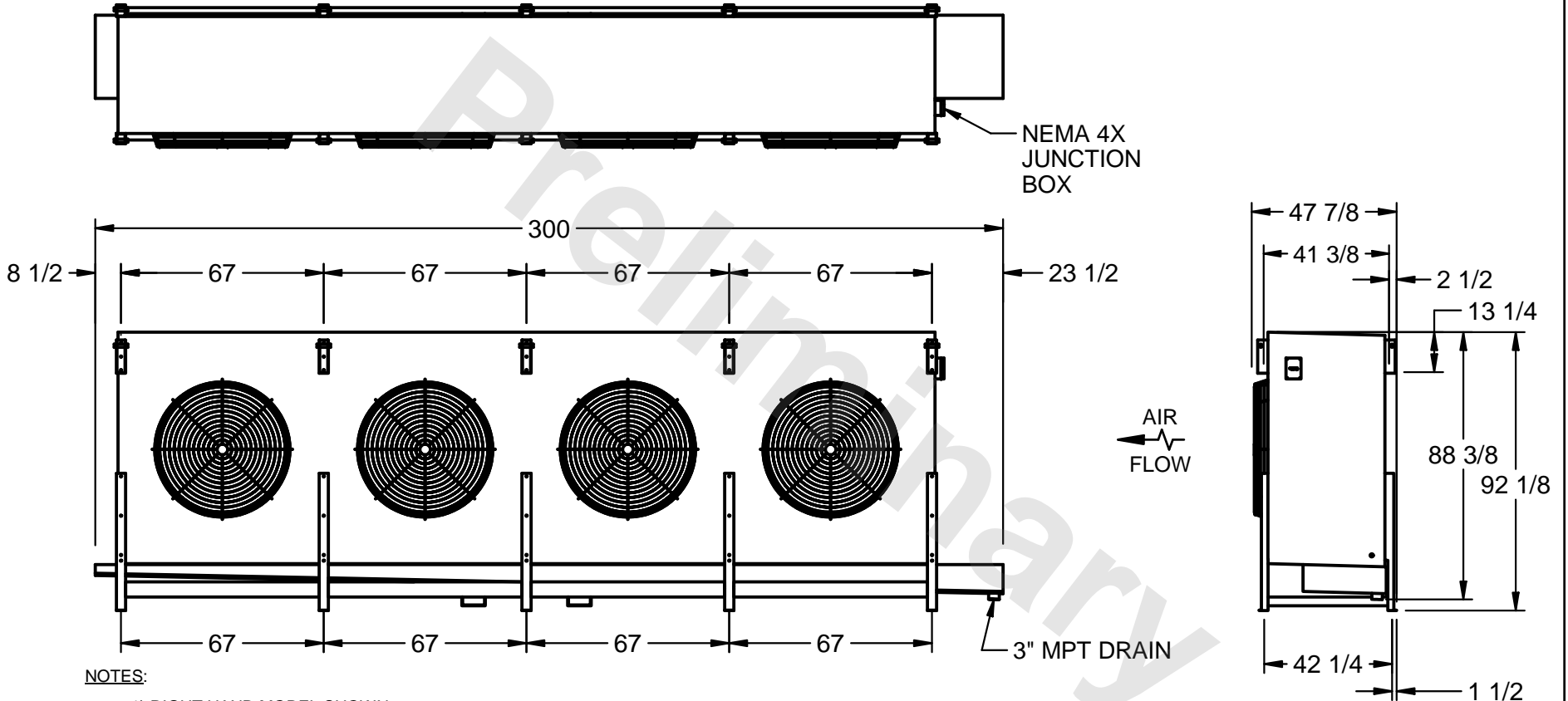
CONFIDENTIAL

This document is the property of Evapco, Inc. It should not be copied or disclosed without prior written authorization.

# EVAPCO, INC.



|          |                                  |                 |                         |        |                   |
|----------|----------------------------------|-----------------|-------------------------|--------|-------------------|
| CUSTOMER | MODEL #<br>SSTHB4-13464E0750L2KA | SCALE<br>N.T.S. | DWG. #<br>STL4-SE-24-FL | REV. 1 | DATE<br>4/29/2026 |
|----------|----------------------------------|-----------------|-------------------------|--------|-------------------|



NOTES:

- 1) RIGHT HAND MODEL SHOWN.
- 2) ALL DIMENSIONS ARE FOR REFERENCE AND SHOULD NOT BE USED FOR PREFABRICATION OF PIPING OR SUPPORTS.
- 3) WATER DEFROST ADDS 6 INCHES TO HEIGHT OF STANDARD UNIT AND CHANGES DRAIN SIZE.
- 4) HANGER HOLES ARE FOR 3/4 INCH THREADED ROD.

|         |      |                             |                              |
|---------|------|-----------------------------|------------------------------|
| PROJECT | ROOM | SHIPPING WEIGHT<br>7040 lbs | OPERATING WEIGHT<br>8200 lbs |
|---------|------|-----------------------------|------------------------------|