

|         |                |           |
|---------|----------------|-----------|
| UNIT    | COOLING TOWER  |           |
| MODEL # | AT 248-5N30-EV | SCALE NTS |

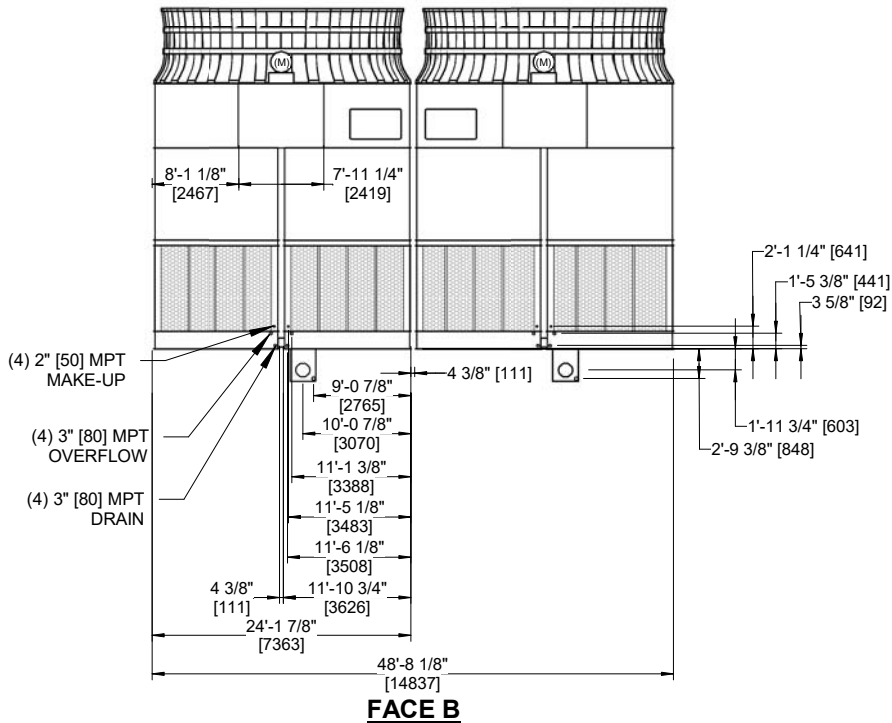
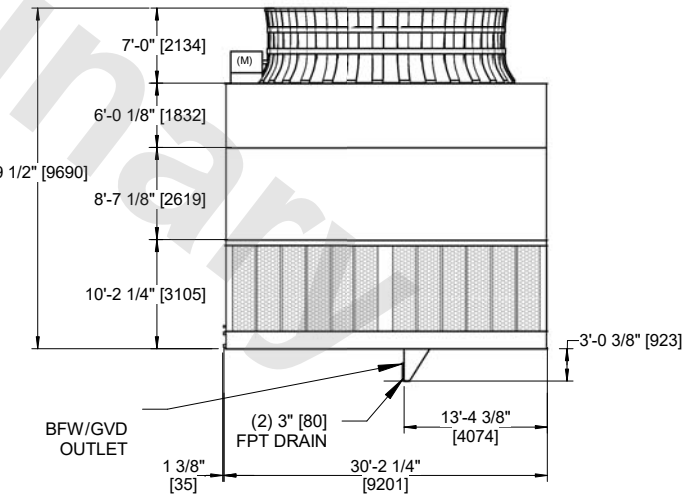


|          |                       |       |          |
|----------|-----------------------|-------|----------|
| DWG. #   | ATL4BI48304E5T-DRC-DS | REV   | -        |
| SERIAL # |                       | DATE: | 7/9/2026 |

- NOTES**
- (M)- FAN MOTOR LOCATION
  - HEAVIEST SECTION IS CASING SECTION
  - MPT DENOTES MALE PIPE THREAD  
FPT DENOTES FEMALE PIPE THREAD  
BFW DENOTES BEVELED FOR WELDING  
GVD DENOTES GROOVED  
FLG DENOTES FLANGE
  - +UNIT WEIGHT DOES NOT INCLUDE ACCESSORIES (SEE ACCESSORY DRAWINGS)
  - 3/4" [19mm] DIA. MOUNTING HOLES. REFER TO RECOMMENDED STEEL SUPPORT DRAWING
  - DIMENSIONS LISTED AS FOLLOWS  
ENGLISH FT-IN  
[METRIC] [mm]
  - FOR BOTTOM INLET SPECIFICATIONS, SEE DETAIL.



**TYPICAL BOTTOM INLET CONNECTION DETAIL**



|                 |                         |                  |                         |                         |                       |                          |    |           |     |
|-----------------|-------------------------|------------------|-------------------------|-------------------------|-----------------------|--------------------------|----|-----------|-----|
| SHIPPING WEIGHT | 138020 lbs+ [62605] kg+ | OPERATING WEIGHT | 191080 lbs+ [86675] kg+ | HEAVIEST SECTION WEIGHT | 13200 lbs+ [5990] kg+ | NO. OF SHIPPING SECTIONS | 14 | DRAWN BY: | JLG |
|-----------------|-------------------------|------------------|-------------------------|-------------------------|-----------------------|--------------------------|----|-----------|-----|