

|                               |              |
|-------------------------------|--------------|
| UNIT<br>CLOSED CIRCUIT COOLER | SCALE<br>NTS |
| MODEL #<br>ESW4 14-24K22-LP   |              |

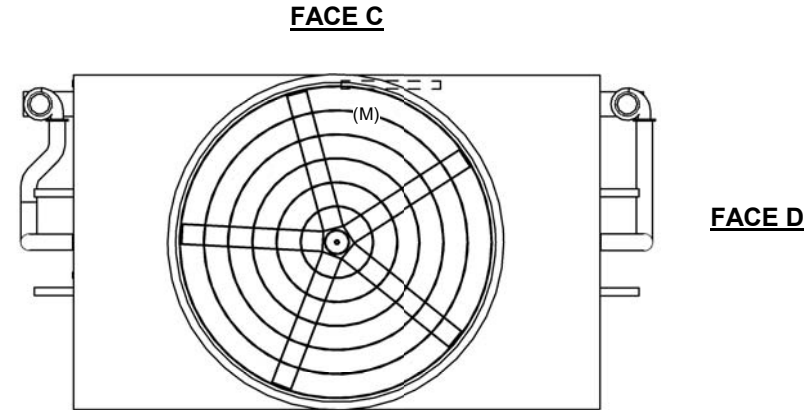
# EVAPCO, INC.

|                              |                    |
|------------------------------|--------------------|
| DWG. #<br>WX414222408-DRB-ST | REV<br>-           |
| SERIAL #                     | DATE:<br>4/22/2026 |

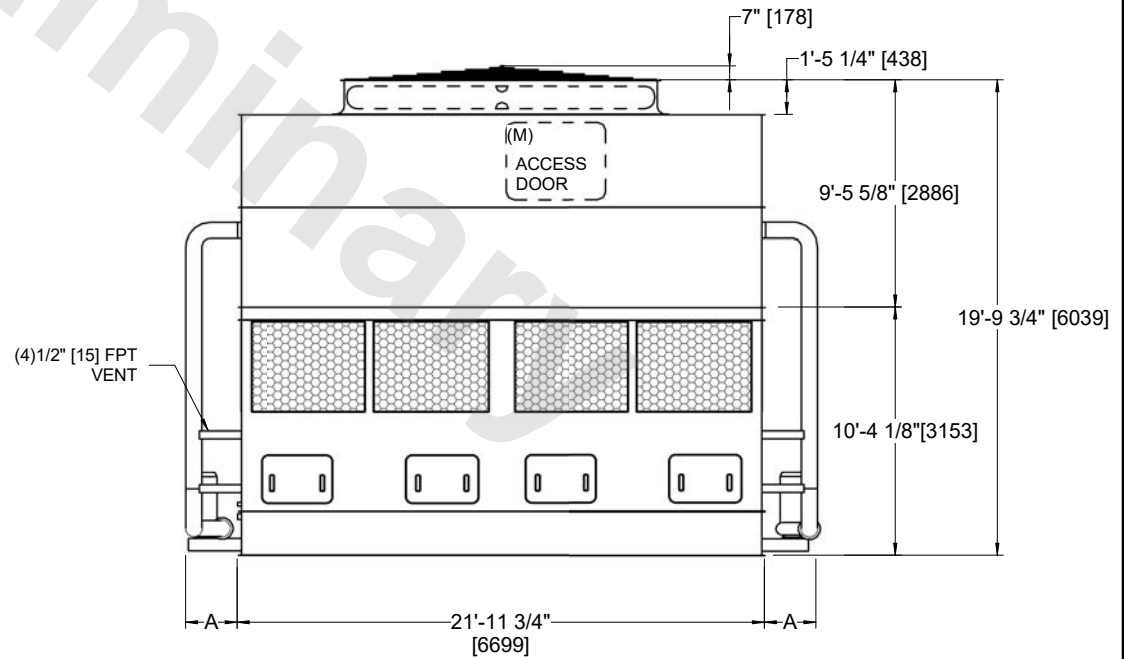
**NOTES:**

- (M)- FAN MOTOR LOCATION
- HEAVIEST SECTION IS COIL SECTION
- MPT DENOTES MALE PIPE THREAD  
FPT DENOTES FEMALE PIPE THREAD  
BFW DENOTES BEVELED FOR WELDING  
GVD DENOTES GROOVED  
FLG DENOTES FLANGE
- +UNIT WEIGHT DOES NOT INCLUDE ACCESSORIES (SEE ACCESSORY DRAWINGS)
- 3/4" [19MM] DIA. MOUNTING HOLES. REFER TO RECOMMENDED STEEL SUPPORT DRAWING
- MAKE-UP WATER PRESSURE  
20 psi MIN [137 kPa], 50 psi MAX [344 kPa]
- DIMENSIONS LISTED AS FOLLOWS:  
ENGLISH FT-IN  
[METRIC] [mm]
- \* - APPROXIMATE DIMENSIONS DO NOT USE FOR PRE-FABRICATION OF CONNECTING PIPING

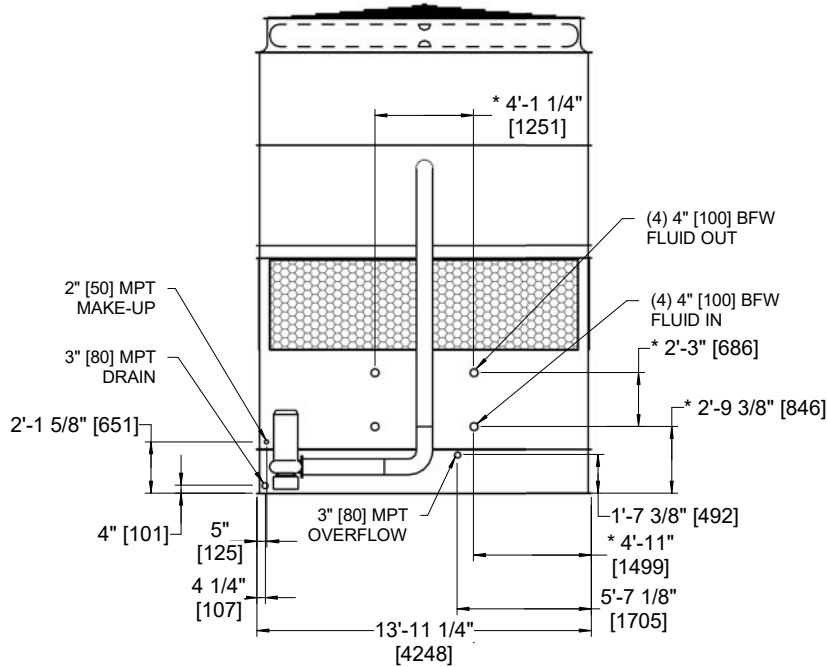
**FACE B  
PLAN VIEW**



**FACE A**



**FACE A**



**FACE B**

| MODEL NUMBER     | DIMENSION A |
|------------------|-------------|
| ESW4 14-24*22-LP | 2'-1 3/4"   |
| ESW4 14-24*22-AP | 2'-7 1/4"   |

|                                           |                                            |                                                   |                               |                  |
|-------------------------------------------|--------------------------------------------|---------------------------------------------------|-------------------------------|------------------|
| SHIPPING WEIGHT<br>37970 lbs+ [17225] kg+ | OPERATING WEIGHT<br>57210 lbs+ [25955] kg+ | HEAVIEST SECTION WEIGHT<br>26890 lbs+ [12200] kg+ | NO. OF SHIPPING SECTIONS<br>2 | DRAWN BY:<br>JLG |
|-------------------------------------------|--------------------------------------------|---------------------------------------------------|-------------------------------|------------------|