

| | |
|---------|-----------------------|
| UNIT | CLOSED CIRCUIT COOLER |
| MODEL # | ESW4 14-43N22-LP |
| SCALE | NTS |

EVAPCO, INC.

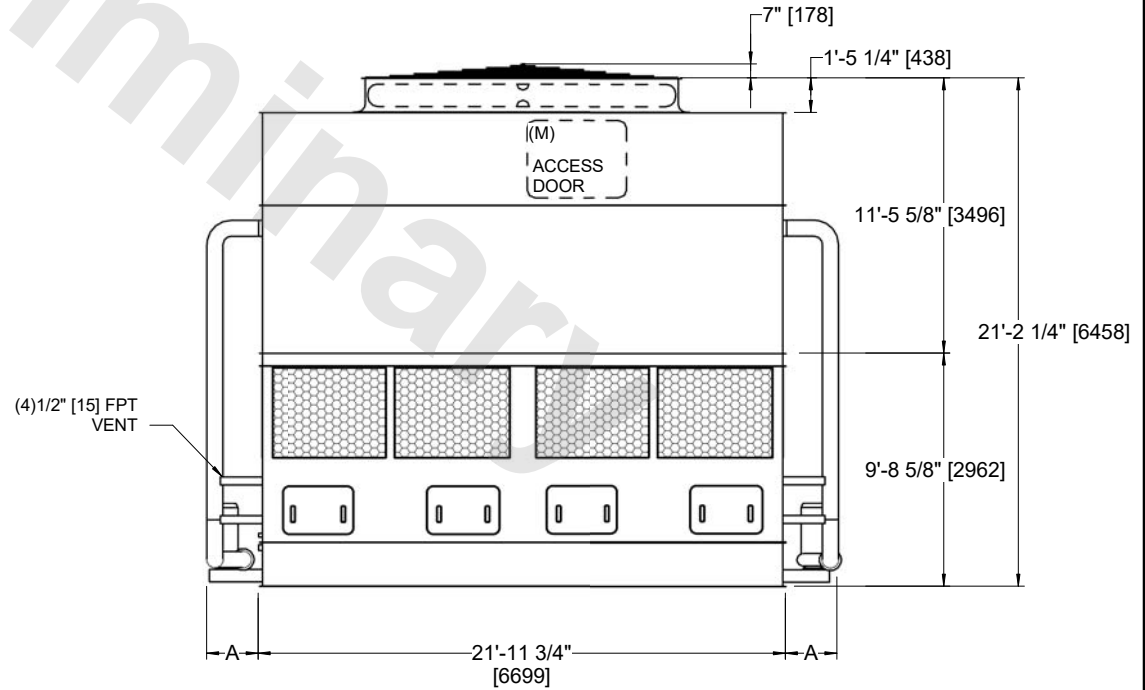
| | | | |
|----------|--------------------|-------|-----------|
| DWG. # | WX414224806-DRB-ST | REV | - |
| SERIAL # | | DATE: | 4/28/2026 |

- NOTES:
- (M)- FAN MOTOR LOCATION
 - HEAVIEST SECTION IS COIL SECTION
 - MPT DENOTES MALE PIPE THREAD
FPT DENOTES FEMALE PIPE THREAD
BFW DENOTES BEVELED FOR WELDING
GVD DENOTES GROOVED
FLG DENOTES FLANGE
 - +UNIT WEIGHT DOES NOT INCLUDE ACCESSORIES (SEE ACCESSORY DRAWINGS)
 - 3/4" [19MM] DIA. MOUNTING HOLES. REFER TO RECOMMENDED STEEL SUPPORT DRAWING
 - MAKE-UP WATER PRESSURE
20 psi MIN [137 kPa], 50 psi MAX [344 kPa]
 - DIMENSIONS LISTED AS FOLLOWS:
ENGLISH FT-IN
[METRIC] [mm]
 - * - APPROXIMATE DIMENSIONS DO NOT USE FOR PRE-FABRICATION OF CONNECTING PIPING

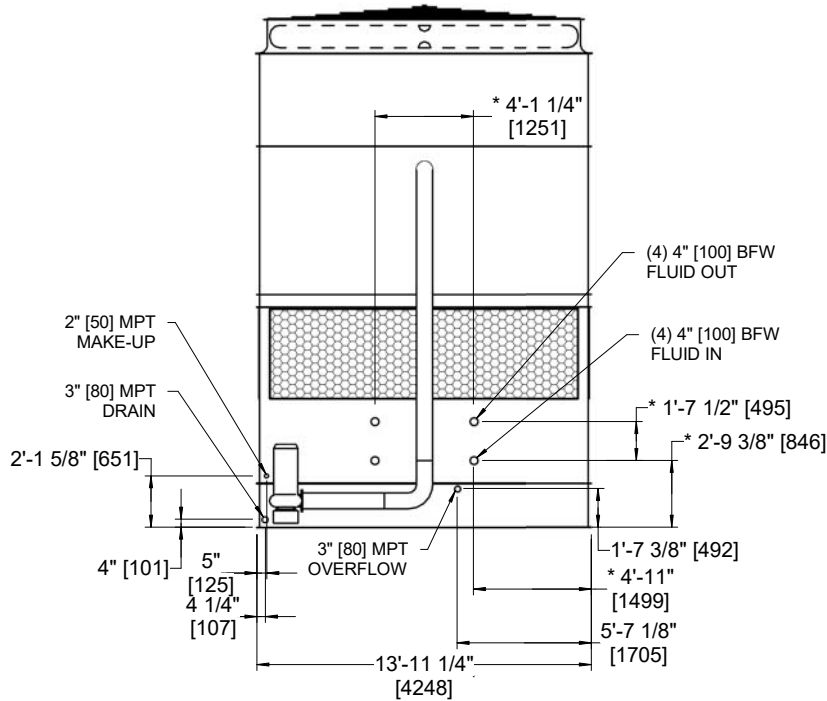
FACE B
PLAN VIEW



FACE A



FACE A



FACE B

| MODEL NUMBER | DIMENSION A |
|------------------|-------------|
| ESW4 14-43*22-LP | 2'-1 3/4" |
| ESW4 14-43*22-AP | 2'-7 1/4" |

| | | | | | | | | | |
|-----------------|------------------------|------------------|------------------------|-------------------------|------------------------|--------------------------|---|-----------|-----|
| SHIPPING WEIGHT | 36640 lbs+ [16620] kg+ | OPERATING WEIGHT | 54500 lbs+ [24725] kg+ | HEAVIEST SECTION WEIGHT | 23240 lbs+ [10545] kg+ | NO. OF SHIPPING SECTIONS | 2 | DRAWN BY: | JLG |
|-----------------|------------------------|------------------|------------------------|-------------------------|------------------------|--------------------------|---|-----------|-----|