

UNIT	CONDENSER	
MODEL #	ATC-1841E	SCALE NTS

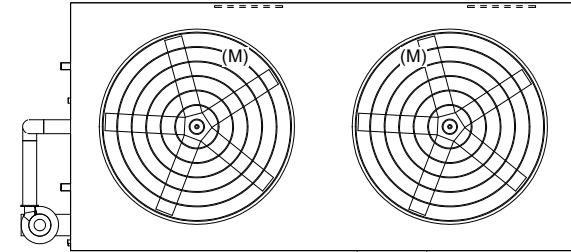
EVAPCO, INC.

DWG. #	C4242410-DRA-ST	REV	-
SERIAL #		DATE:	5/15/2026

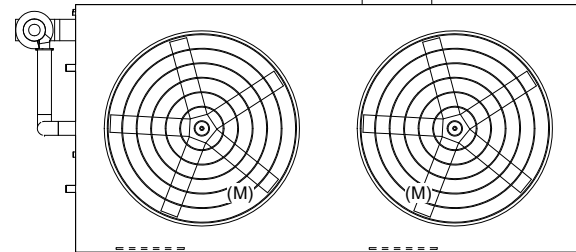
- NOTES**
- (M)- FAN MOTOR LOCATION
 - MPT DENOTES MALE PIPE THREAD
FPT DENOTES FEMALE PIPE THREAD
BFW DENOTES BEVELED FOR WELDING
GVD DENOTES GROOVED
FLG DENOTES FLANGE
PE DENOTES PLAIN END
 - +UNIT WEIGHT DOES NOT INCLUDE ACCESSORIES (SEE ACCESSORY DRAWINGS)
 - MAKE-UP WATER PRESSURE
20 psi MIN [137 kPa], 50 psi MAX [344 kPa]
 - *-APPROXIMATE DIMENSIONS DO NOT USE FOR PRE-FABRICATION OF CONNECTING PIPING
 - 3/4" [19mm] DIA. MOUNTING HOLES. REFER TO RECOMMENDED STEEL SUPPORT DRAWING.
 - DIMENSIONS LISTED AS FOLLOWS:
ENGLISH FT-IN
METRIC [mm]

Preliminary

FACE C

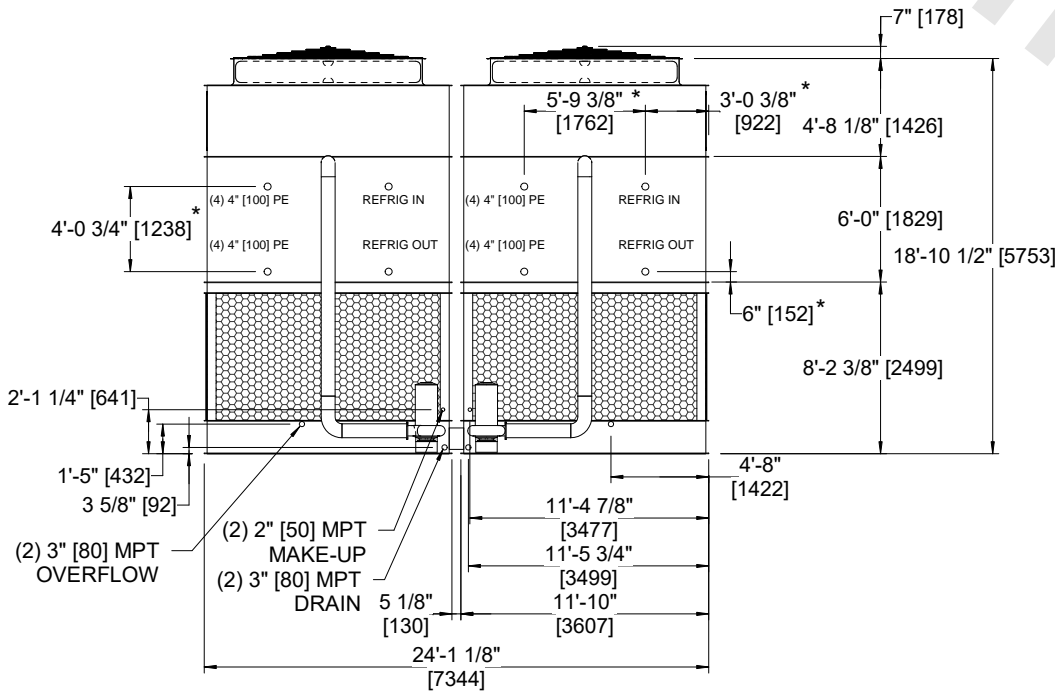


FACE D

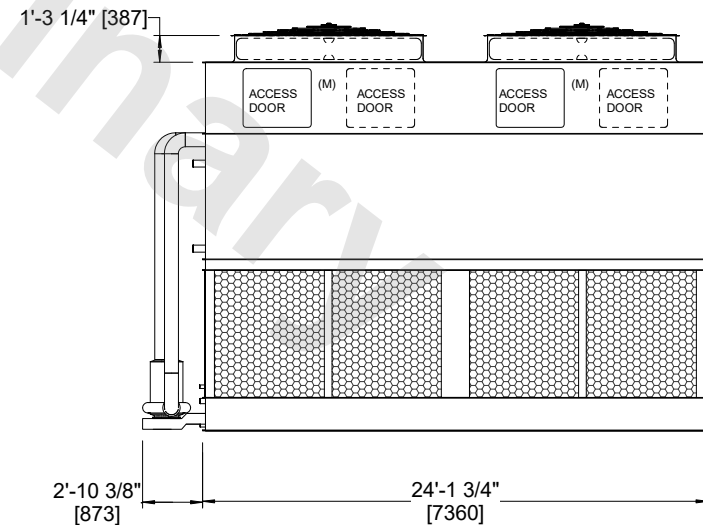


**FACE B
PLAN VIEW**

FACE A (4) ACCESS DOOR



FACE B



FACE A

SHIPPING WEIGHT	77120 lbs+ [34985] kg+	OPERATING WEIGHT	103210 lbs+ [46820] kg+	HEAVIEST SECTION WEIGHT	31740 lbs+ [14400] kg+	NO. OF SHIPPING SECTIONS	4	DRAWN BY:	JLG
-----------------	------------------------	------------------	-------------------------	-------------------------	------------------------	--------------------------	---	-----------	-----