

|                               |              |
|-------------------------------|--------------|
| UNIT<br>CLOSED CIRCUIT COOLER | SCALE<br>NTS |
| MODEL #<br>ESW4 14-54P22-AP   |              |

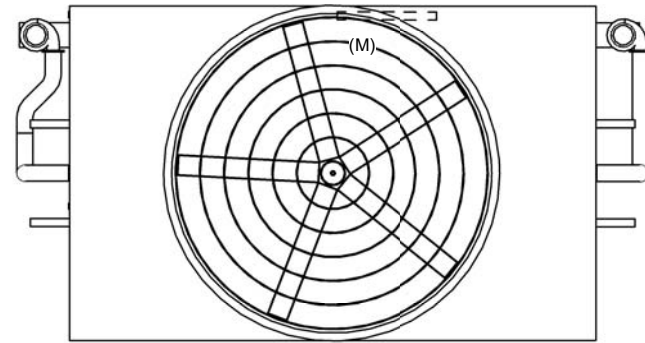
# EVAPCO, INC.

|                              |                   |
|------------------------------|-------------------|
| DWG. #<br>WX414226008-DRB-ST | REV<br>-          |
| SERIAL #                     | DATE:<br>5/1/2026 |

**NOTES:**

- (M)- FAN MOTOR LOCATION
- HEAVIEST SECTION IS COIL SECTION
- MPT DENOTES MALE PIPE THREAD  
FPT DENOTES FEMALE PIPE THREAD  
BFW DENOTES BEVELED FOR WELDING  
GVD DENOTES GROOVED  
FLG DENOTES FLANGE
- +UNIT WEIGHT DOES NOT INCLUDE ACCESSORIES (SEE ACCESSORY DRAWINGS)
- 3/4" [19MM] DIA. MOUNTING HOLES. REFER TO RECOMMENDED STEEL SUPPORT DRAWING
- MAKE-UP WATER PRESSURE  
20 psi MIN [137 kPa], 50 psi MAX [344 kPa]
- DIMENSIONS LISTED AS FOLLOWS:  
ENGLISH FT-IN  
[METRIC] [mm]
- \* - APPROXIMATE DIMENSIONS DO NOT USE FOR PRE-FABRICATION OF CONNECTING PIPING

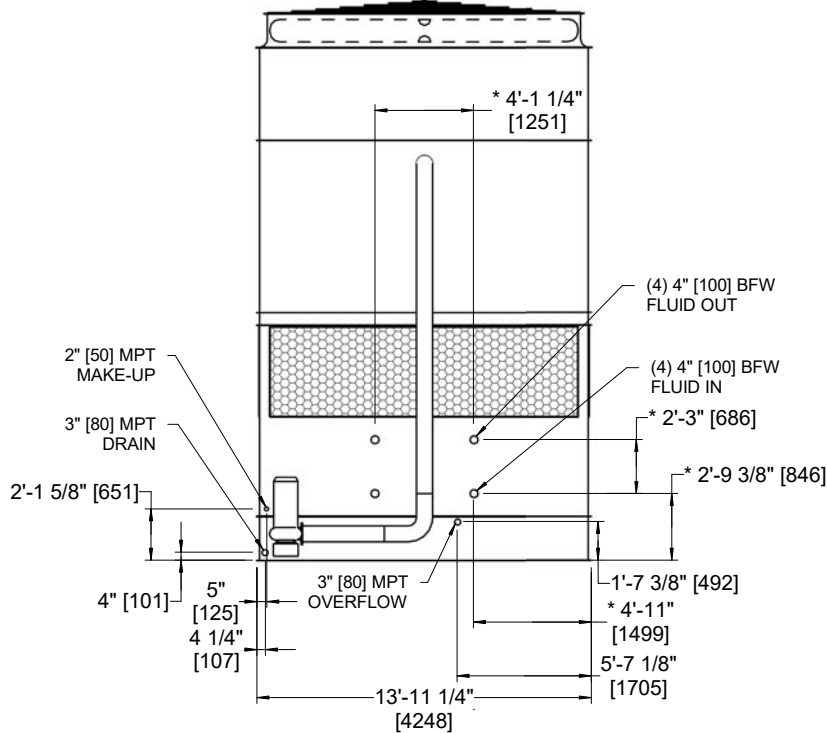
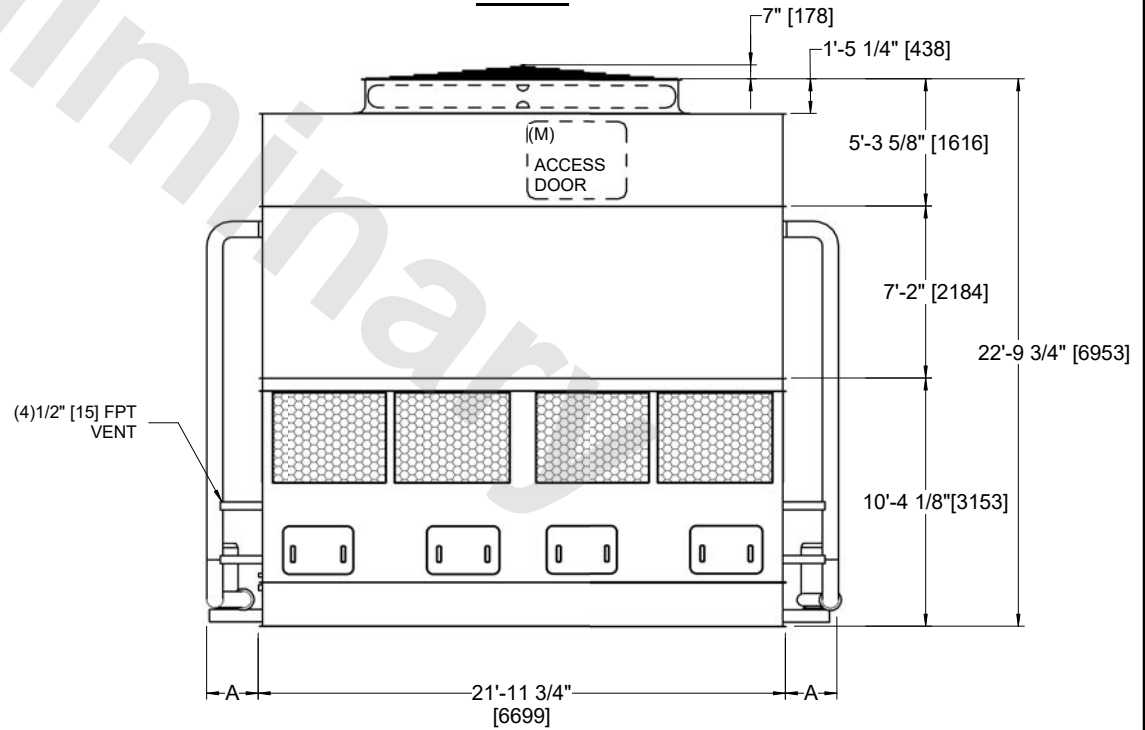
**FACE C**



**FACE D**

**FACE B  
PLAN VIEW**

**FACE A**



**FACE B**

**FACE A**

| MODEL NUMBER     | DIMENSION A |
|------------------|-------------|
| ESW4 14-54*22-LP | 2'-1 3/4"   |
| ESW4 14-54*22-AP | 2'-7 1/4"   |

SHIPPING WEIGHT 42880 lbs+ [19455] kg+

OPERATING WEIGHT 60770 lbs+ [27565] kg+

HEAVIEST SECTION WEIGHT 26640 lbs+ [12085] kg+

NO. OF SHIPPING SECTIONS 3

DRAWN BY: JLG