

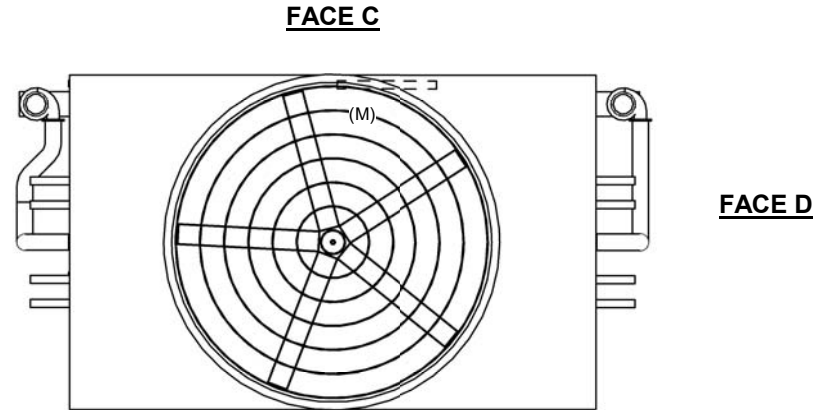
| | |
|-------------------------------|--------------|
| UNIT CLOSED CIRCUIT COOLER | SCALE NTS |
| MODEL # ESW4 14-22O22-AP | |

EVAPCO, INC.

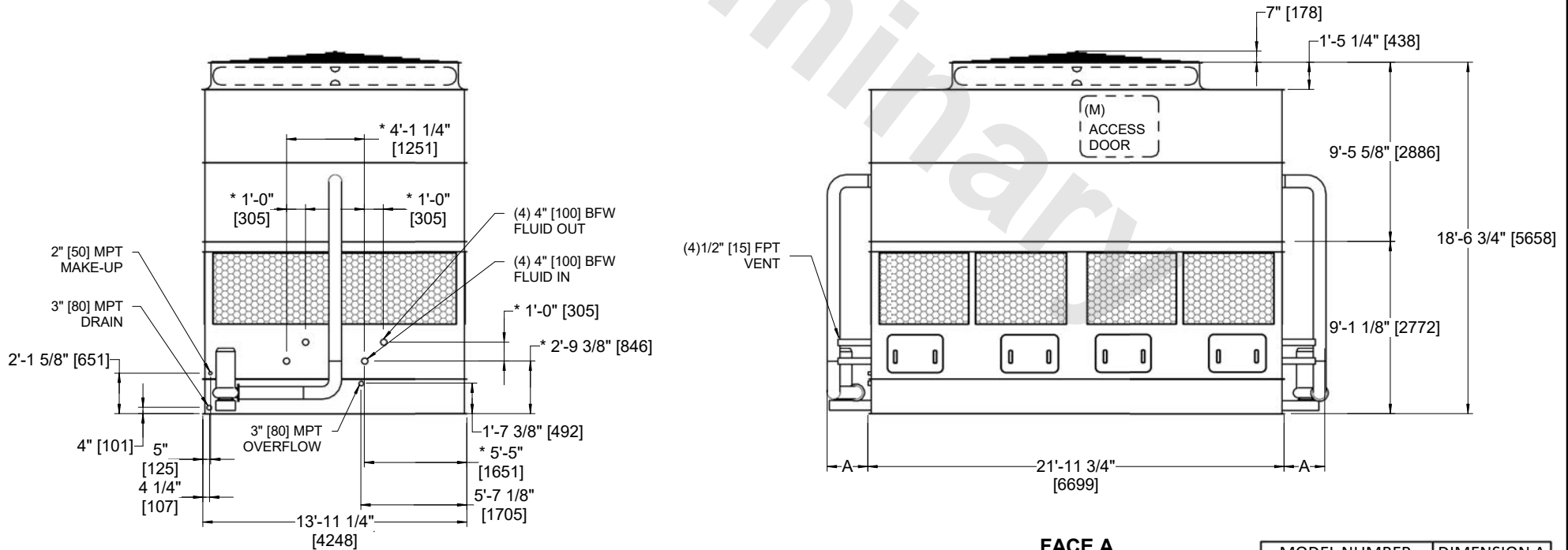
| | |
|------------------------------|--------------------|
| DWG. # WX414222404-DRB-ST | REV - |
| SERIAL # | DATE: 5/20/2026 |

- NOTES:
- (M)- FAN MOTOR LOCATION
 - HEAVIEST SECTION IS COIL SECTION
 - MPT DENOTES MALE PIPE THREAD
FPT DENOTES FEMALE PIPE THREAD
BFW DENOTES BEVELED FOR WELDING
GVD DENOTES GROOVED
FLG DENOTES FLANGE
 - +UNIT WEIGHT DOES NOT INCLUDE ACCESSORIES (SEE ACCESSORY DRAWINGS)
 - 3/4" [19MM] DIA. MOUNTING HOLES. REFER TO RECOMMENDED STEEL SUPPORT DRAWING
 - MAKE-UP WATER PRESSURE
20 psi MIN [137 kPa], 50 psi MAX [344 kPa]
 - DIMENSIONS LISTED AS FOLLOWS:
ENGLISH FT-IN
[METRIC] [mm]
 - * - APPROXIMATE DIMENSIONS DO NOT USE FOR PRE-FABRICATION OF CONNECTING PIPING

**FACE B
PLAN VIEW**



FACE A



FACE B

FACE A

| MODEL NUMBER | DIMENSION A |
|------------------|-------------|
| ESW4 14-22*22-LP | 2'-1 3/4" |
| ESW4 14-22*22-AP | 2'-7 1/4" |

| | | | | |
|---|--|--|-------------------------------|------------------|
| SHIPPING WEIGHT 30640 lbs+ [13900] kg+ | OPERATING WEIGHT 47130 lbs+ [21380] kg+ | HEAVIEST SECTION WEIGHT 18990 lbs+ [8615] kg+ | NO. OF SHIPPING SECTIONS 2 | DRAWN BY: JLG |
|---|--|--|-------------------------------|------------------|