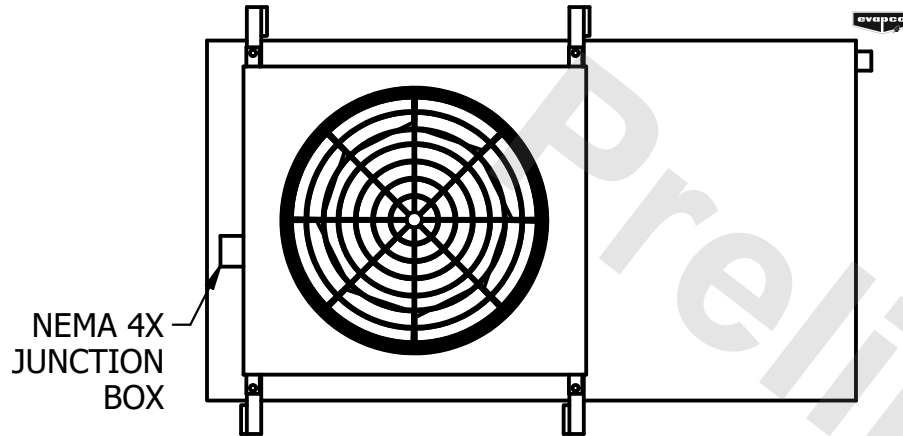


**CONFIDENTIAL**

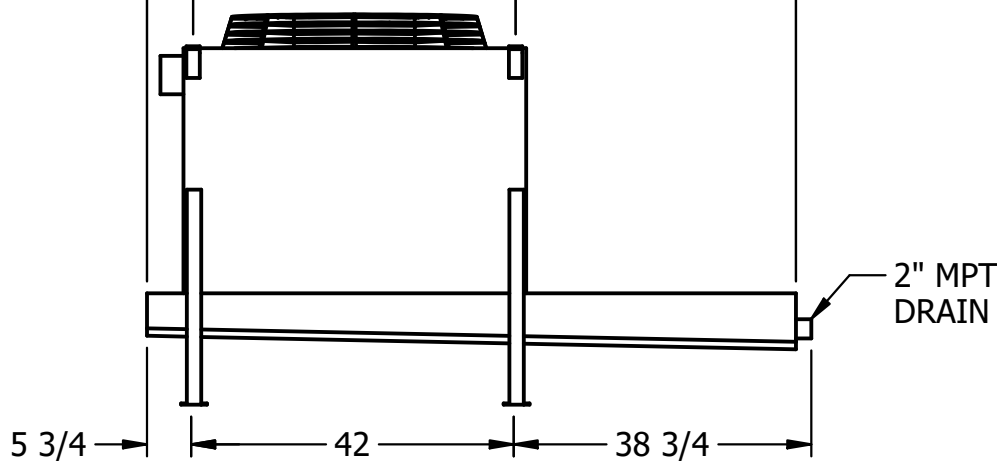
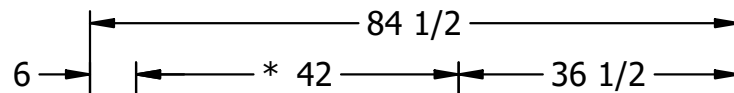
This document is the property of Evapco, Inc. It should not be copied or disclosed without prior written authorization.

|          |                                |              |                    |        |                |
|----------|--------------------------------|--------------|--------------------|--------|----------------|
| CUSTOMER | MODEL # U-SSTWE1-9S86F0100F1KA | SCALE N.T.S. | DWG. # USSTW1-SE-8 | REV. 0 | DATE 5/15/2026 |
|----------|--------------------------------|--------------|--------------------|--------|----------------|



**NOTES:**

- 1) \* = HANGER HOLE LOCATION.
- 2) HANGER HOLES ARE FOR 3/4 INCH THREADED ROD.
- 3) ALL DIMENSIONS ARE FOR REFERENCE AND SHOULD NOT BE USED FOR PREFABRICATION OF PIPING OR SUPPORTS.



|         |      |                                    |                                     |
|---------|------|------------------------------------|-------------------------------------|
| PROJECT | ROOM | SHIPPING WEIGHT 640 lbs+ [295] kg+ | OPERATING WEIGHT 750 lbs+ [345] kg+ |
|---------|------|------------------------------------|-------------------------------------|