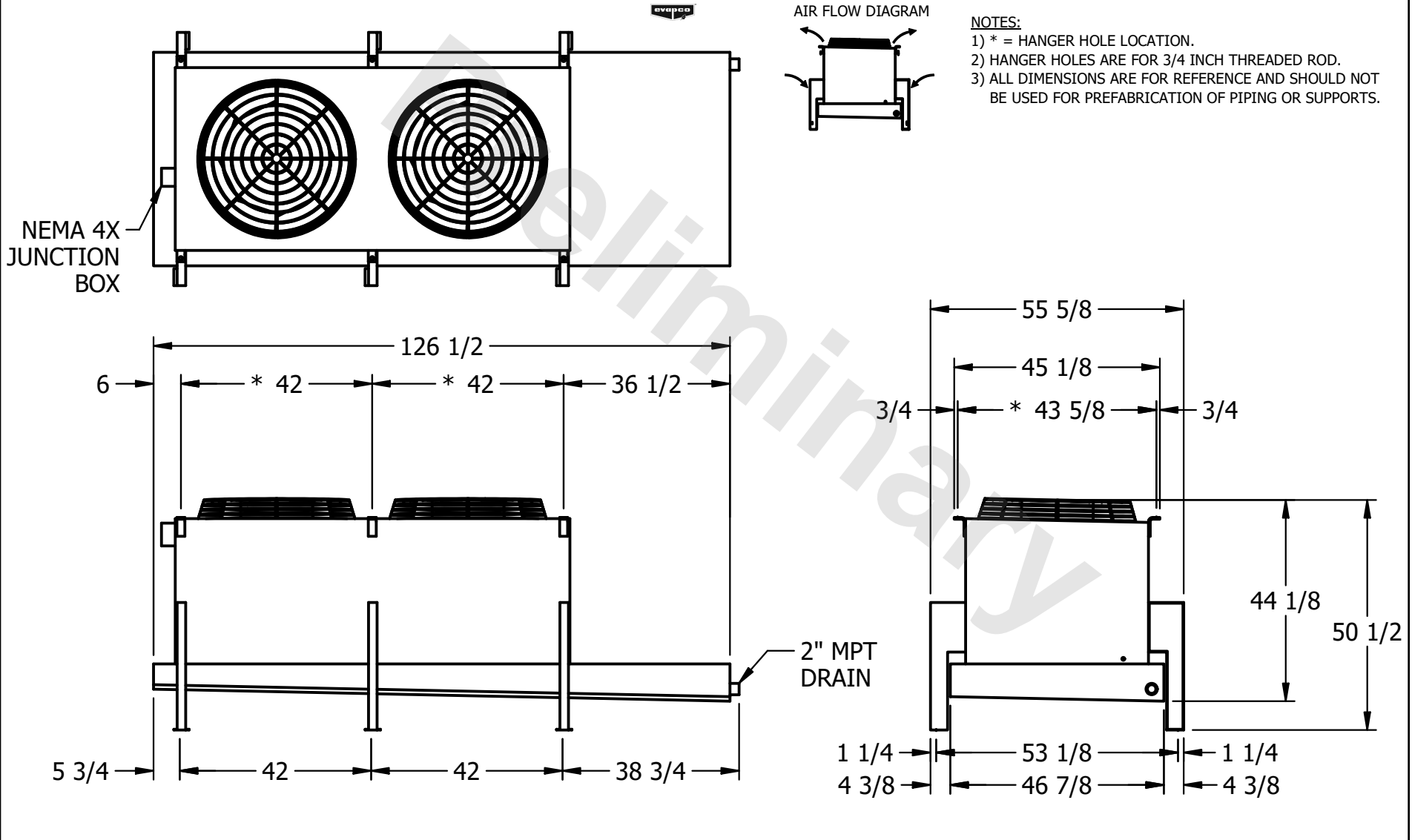


CONFIDENTIAL

This document is the property of Evapco, Inc. It should not be copied or disclosed without prior written authorization.

| | | | | | |
|----------|---------------------------------|--------------|--------------------|--------|----------------|
| CUSTOMER | MODEL # U-SSTWE2-19S64F0075F1LA | SCALE N.T.S. | DWG. # USSTW2-SE-8 | REV. 0 | DATE 5/16/2026 |
|----------|---------------------------------|--------------|--------------------|--------|----------------|



| | | | |
|---------|------|------------------------------------|--------------------------------------|
| PROJECT | ROOM | SHIPPING WEIGHT 920 lbs+ [420] kg+ | OPERATING WEIGHT 1050 lbs+ [480] kg+ |
|---------|------|------------------------------------|--------------------------------------|