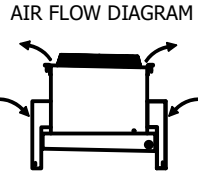
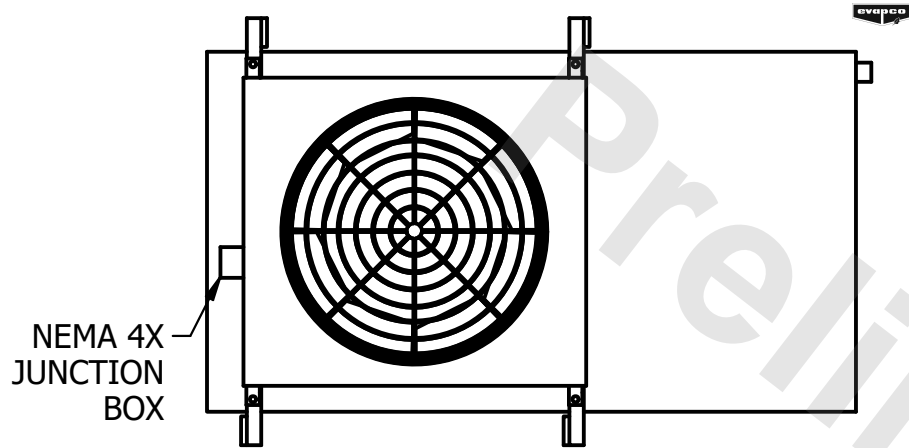


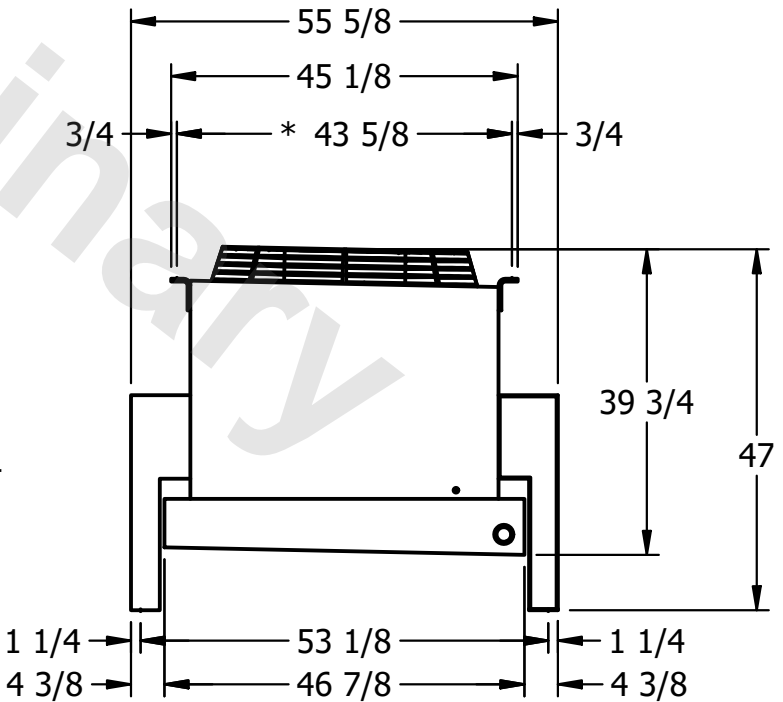
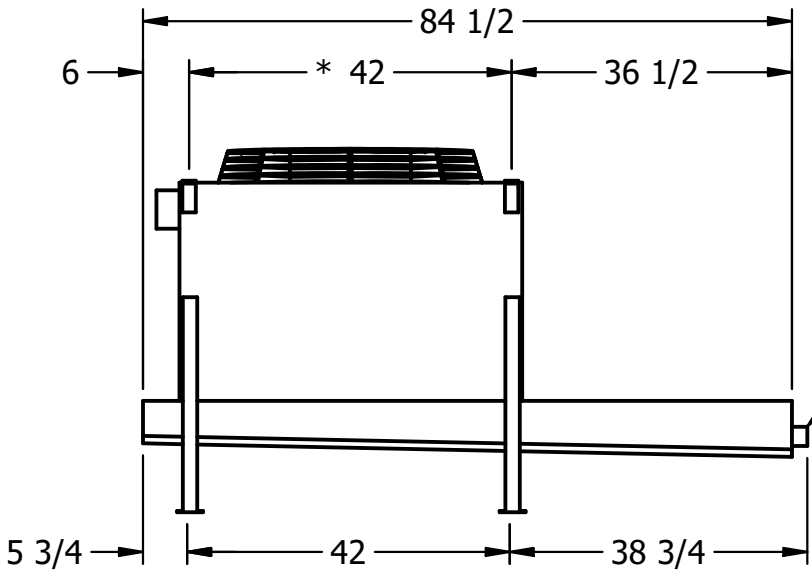
**CONFIDENTIAL**

This document is the property of Evapco, Inc. It should not be copied or disclosed without prior written authorization.

|          |         |                        |       |        |        |              |      |   |      |           |
|----------|---------|------------------------|-------|--------|--------|--------------|------|---|------|-----------|
| CUSTOMER | MODEL # | U-SSTWE1-9R63H0050F3KA | SCALE | N.T.S. | DWG. # | USSTW1-SE-6L | REV. | 0 | DATE | 3/18/2026 |
|----------|---------|------------------------|-------|--------|--------|--------------|------|---|------|-----------|



- NOTES:**
- 1) \* = HANGER HOLE LOCATION.
  - 2) HANGER HOLES ARE FOR 3/4 INCH THREADED ROD.
  - 3) ALL DIMENSIONS ARE FOR REFERENCE AND SHOULD NOT BE USED FOR PREFABRICATION OF PIPING OR SUPPORTS.



2" MPT DRAIN

|         |      |                 |                    |                  |                    |
|---------|------|-----------------|--------------------|------------------|--------------------|
| PROJECT | ROOM | SHIPPING WEIGHT | 620 lbs+ [285] kg+ | OPERATING WEIGHT | 680 lbs+ [310] kg+ |
|---------|------|-----------------|--------------------|------------------|--------------------|