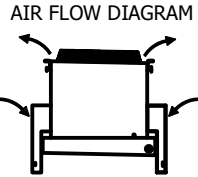
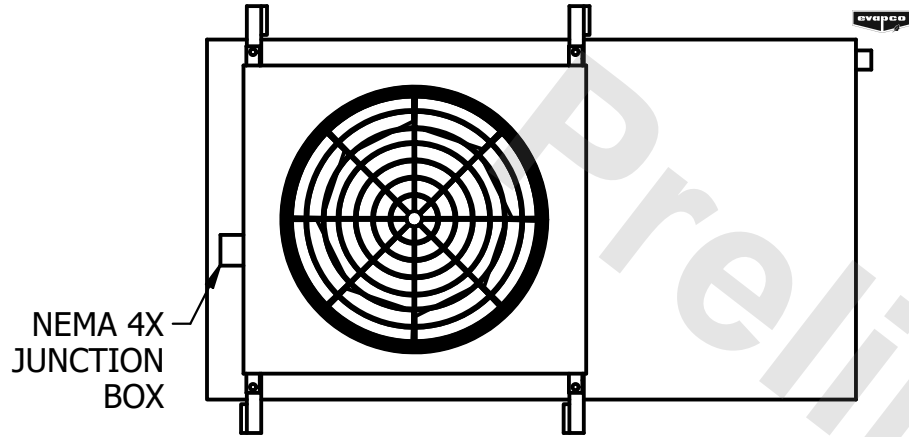


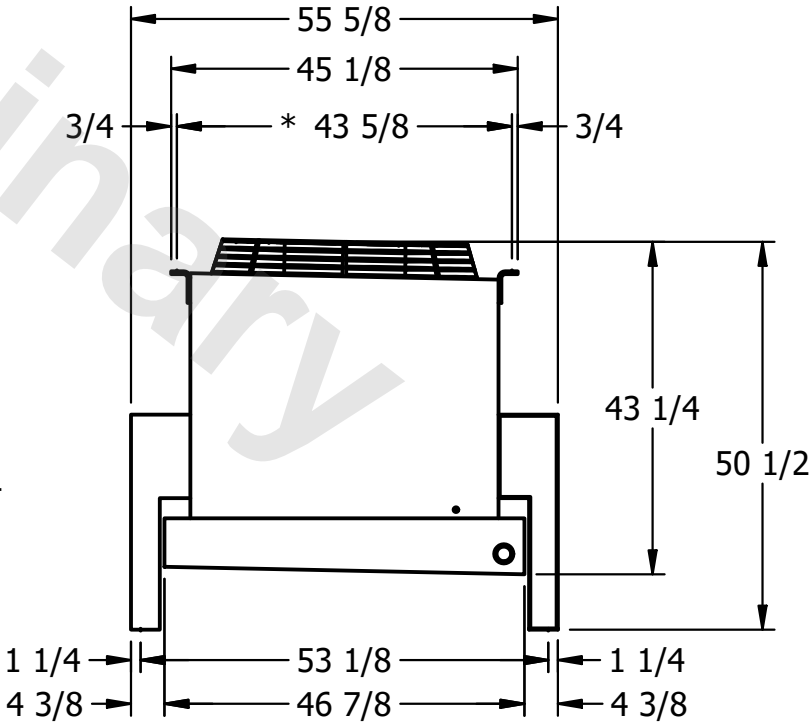
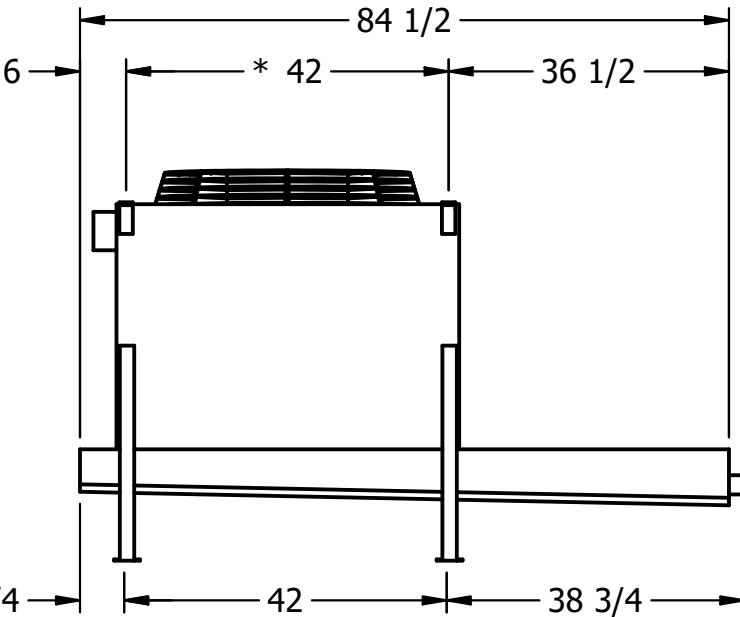
CONFIDENTIAL

This document is the property of Evapco, Inc. It should not be copied or disclosed without prior written authorization.

| | | | | | |
|----------|--------------------------------|--------------|--------------------|--------|-----------------|
| CUSTOMER | MODEL # U-SSTWE1-9S63H0075F3LA | SCALE N.T.S. | DWG. # USSTW1-SE-8 | REV. 0 | DATE 10/15/2025 |
|----------|--------------------------------|--------------|--------------------|--------|-----------------|



- NOTES:**
- 1) * = HANGER HOLE LOCATION.
 - 2) HANGER HOLES ARE FOR 3/4 INCH THREADED ROD.
 - 3) ALL DIMENSIONS ARE FOR REFERENCE AND SHOULD NOT BE USED FOR PREFABRICATION OF PIPING OR SUPPORTS.



| | | | |
|---------|------|------------------------------------|-------------------------------------|
| PROJECT | ROOM | SHIPPING WEIGHT 580 lbs+ [265] kg+ | OPERATING WEIGHT 630 lbs+ [290] kg+ |
|---------|------|------------------------------------|-------------------------------------|