

**CONFIDENTIAL**

This document is the property of Evapco, Inc. It should not be copied or disclosed without prior written authorization.

|          |                                 |              |                        |        |                |
|----------|---------------------------------|--------------|------------------------|--------|----------------|
| CUSTOMER | MODEL # U-SSTME4-42103F0050F1JA | SCALE N.T.S. | DWG. # USSTM4-SE-16,18 | REV. 0 | DATE 6/24/2026 |
|----------|---------------------------------|--------------|------------------------|--------|----------------|

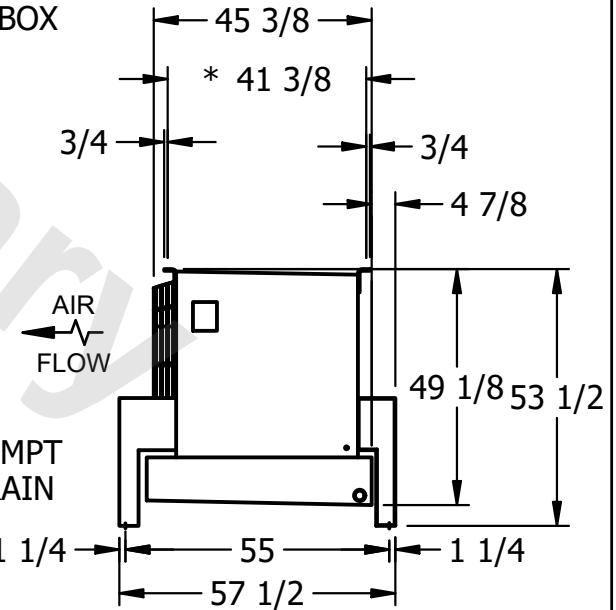


**NOTES:**

- 1) \* = HANGER HOLE LOCATION.
- 2) RIGHT HAND MODEL SHOWN.
- 3) HANGER HOLES ARE FOR 3/4 INCH THREADED ROD.
- 4) ALL DIMENSIONS ARE FOR REFERENCE AND SHOULD NOT BE USED FOR PREFABRICATION OF PIPING OR SUPPORTS.



NEMA 4X  
JUNCTION BOX



|         |      |                                      |                                       |
|---------|------|--------------------------------------|---------------------------------------|
| PROJECT | ROOM | SHIPPING WEIGHT 2280 lbs+ [1035] kg+ | OPERATING WEIGHT 2700 lbs+ [1225] kg+ |
|---------|------|--------------------------------------|---------------------------------------|