

CONFIDENTIAL

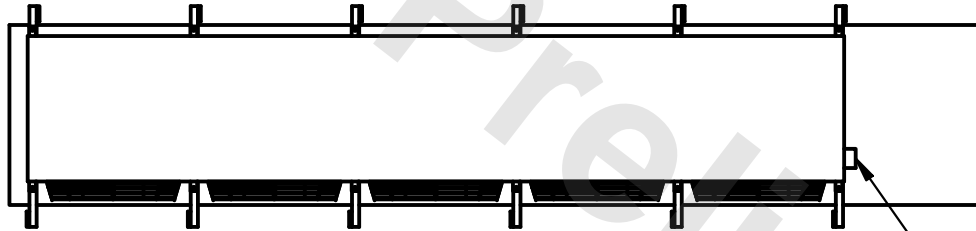
This document is the property of Evapco, Inc. It should not be copied or disclosed without prior written authorization.

CUSTOMER	MODEL # U-SSTME5-5386F0075F1JA	SCALE N.T.S.	DWG. # USSTM5-SE-16,18	REV. 0	DATE 6/1/2026
----------	--------------------------------	--------------	------------------------	--------	---------------

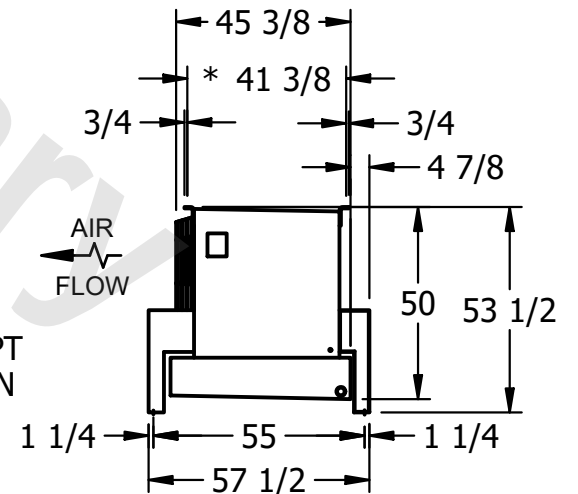
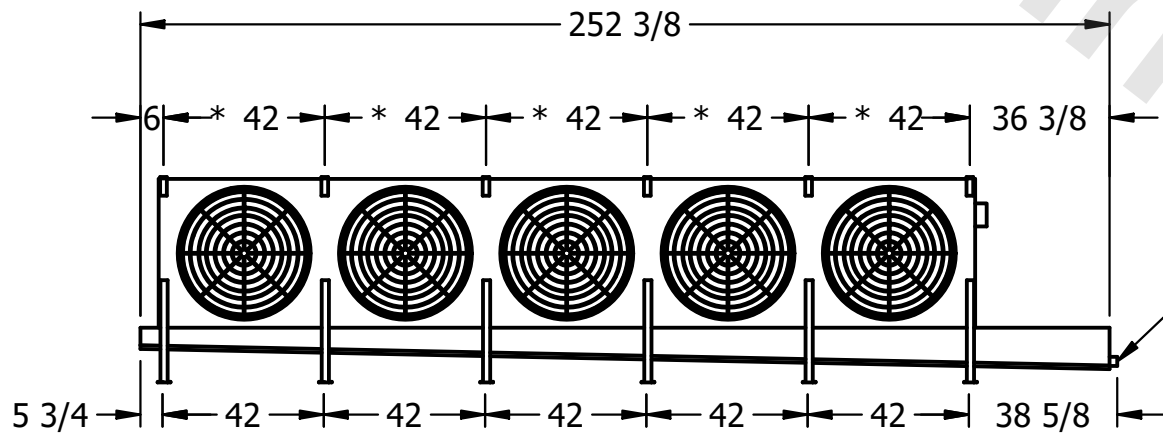


NOTES:

- 1) * = HANGER HOLE LOCATION.
- 2) RIGHT HAND MODEL SHOWN.
- 3) HANGER HOLES ARE FOR 3/4 INCH THREADED ROD.
- 4) ALL DIMENSIONS ARE FOR REFERENCE AND SHOULD NOT BE USED FOR PREFABRICATION OF PIPING OR SUPPORTS.



NEMA 4X
JUNCTION BOX



PROJECT	ROOM	SHIPPING WEIGHT 3170 lbs+ [1440] kg+	OPERATING WEIGHT 3810 lbs+ [1730] kg+
---------	------	--------------------------------------	---------------------------------------