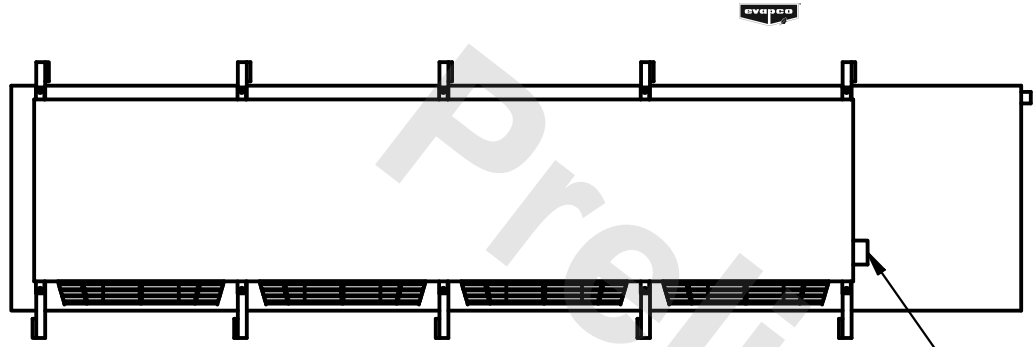


**CONFIDENTIAL**

This document is the property of Evapco, Inc. It should not be copied or disclosed without prior written authorization.

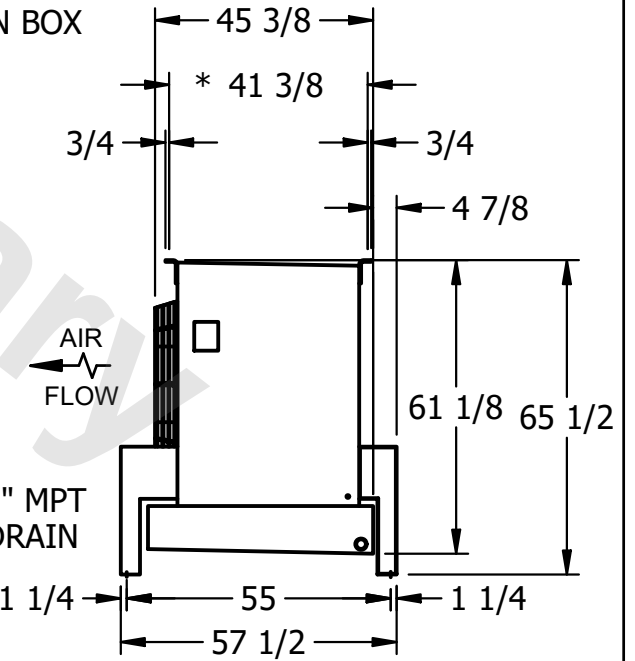
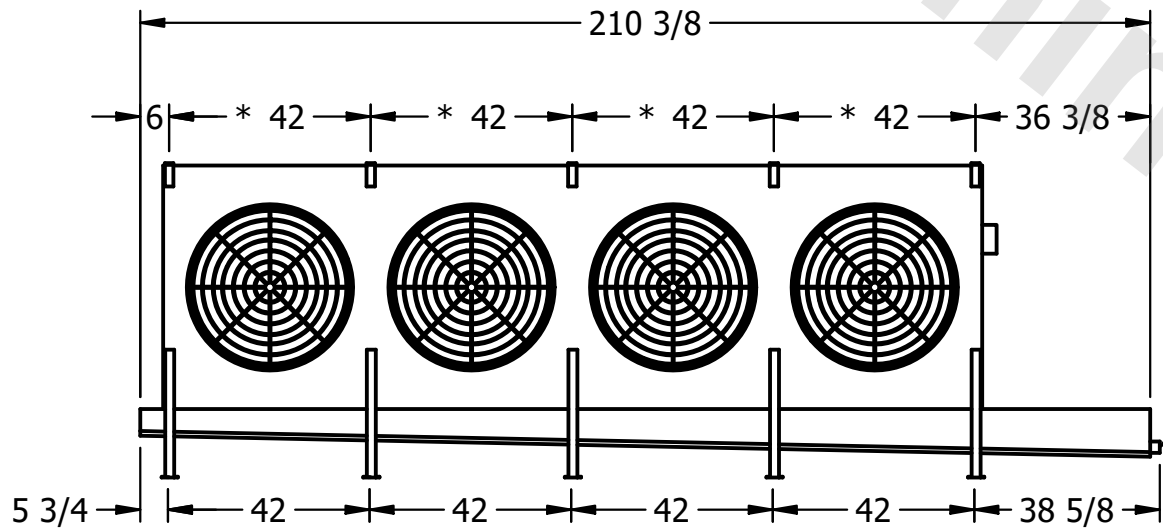
CUSTOMER	MODEL # U-SSTME4-56104F0050F1JA	SCALE N.T.S.	DWG. # USSTM4-SE-24	REV. 0	DATE 11/23/2025
----------	---------------------------------	--------------	---------------------	--------	-----------------



**NOTES:**

- 1) \* = HANGER HOLE LOCATION.
- 2) RIGHT HAND MODEL SHOWN.
- 3) HANGER HOLES ARE FOR 3/4 INCH THREADED ROD.
- 4) ALL DIMENSIONS ARE FOR REFERENCE AND SHOULD NOT BE USED FOR PREFABRICATION OF PIPING OR SUPPORTS.

NEMA 4X  
JUNCTION BOX



PROJECT	ROOM	SHIPPING WEIGHT 2850 lbs+ [1295] kg+	OPERATING WEIGHT 3520 lbs+ [1600] kg+
---------	------	--------------------------------------	---------------------------------------