

**CONFIDENTIAL**

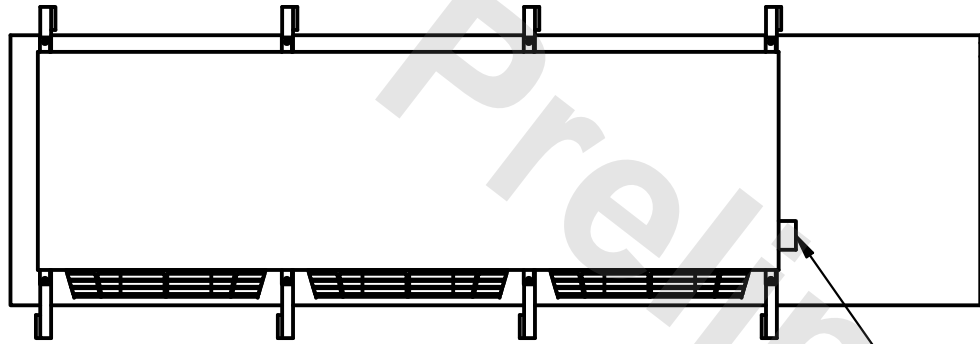
This document is the property of Evapco, Inc. It should not be copied or disclosed without prior written authorization.

|          |                                |              |                        |        |                |
|----------|--------------------------------|--------------|------------------------|--------|----------------|
| CUSTOMER | MODEL # U-SSTME3-3284H0075F1LA | SCALE N.T.S. | DWG. # USSTM3-SE-16,18 | REV. 0 | DATE 4/30/2026 |
|----------|--------------------------------|--------------|------------------------|--------|----------------|

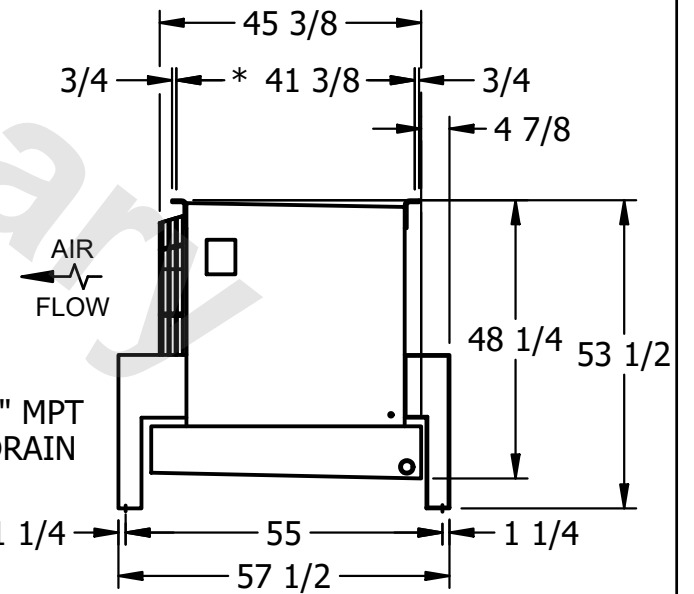
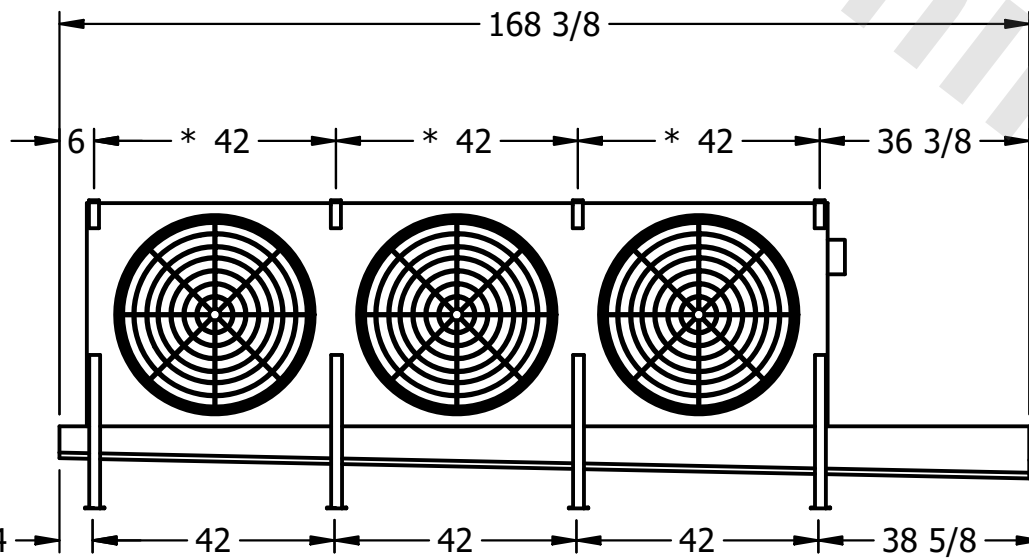


**NOTES:**

- 1) \* = HANGER HOLE LOCATION.
- 2) RIGHT HAND MODEL SHOWN.
- 3) HANGER HOLES ARE FOR 3/4 INCH THREADED ROD.
- 4) ALL DIMENSIONS ARE FOR REFERENCE AND SHOULD NOT BE USED FOR PREFABRICATION OF PIPING OR SUPPORTS.



NEMA 4X  
JUNCTION BOX



|         |      |                                     |                                      |
|---------|------|-------------------------------------|--------------------------------------|
| PROJECT | ROOM | SHIPPING WEIGHT 1890 lbs+ [860] kg+ | OPERATING WEIGHT 2190 lbs+ [995] kg+ |
|---------|------|-------------------------------------|--------------------------------------|