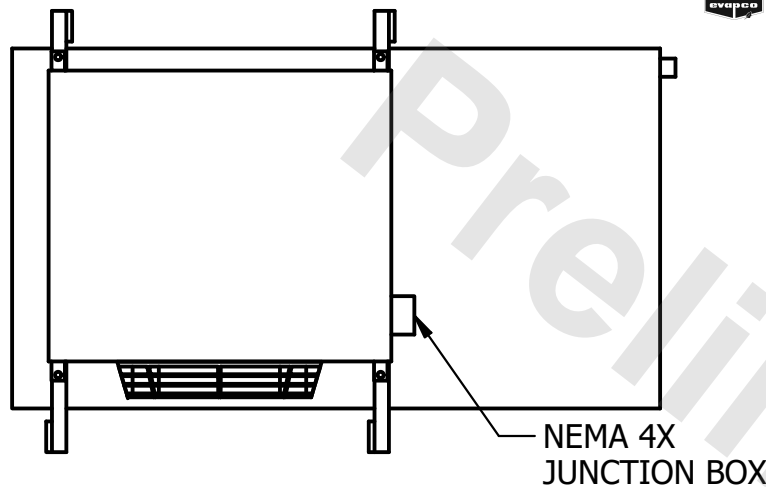


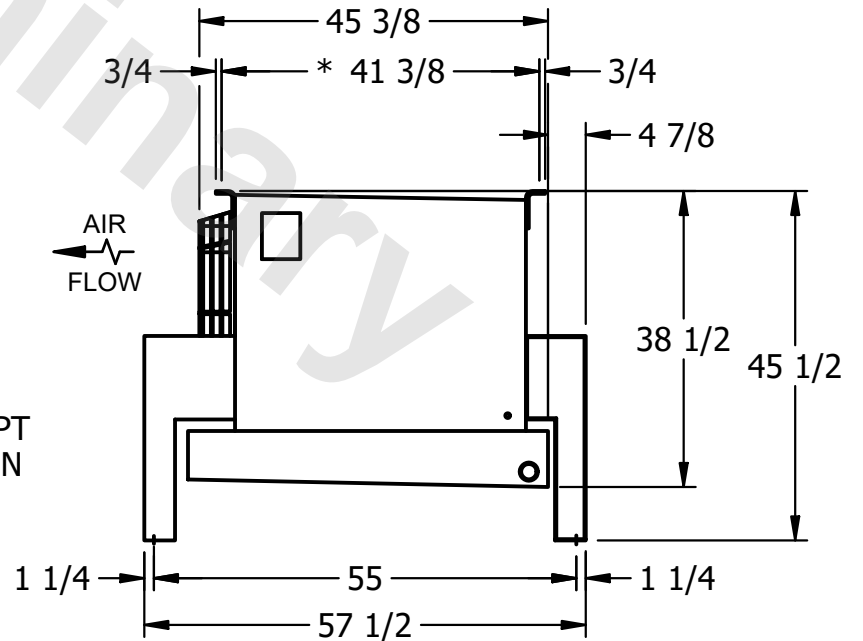
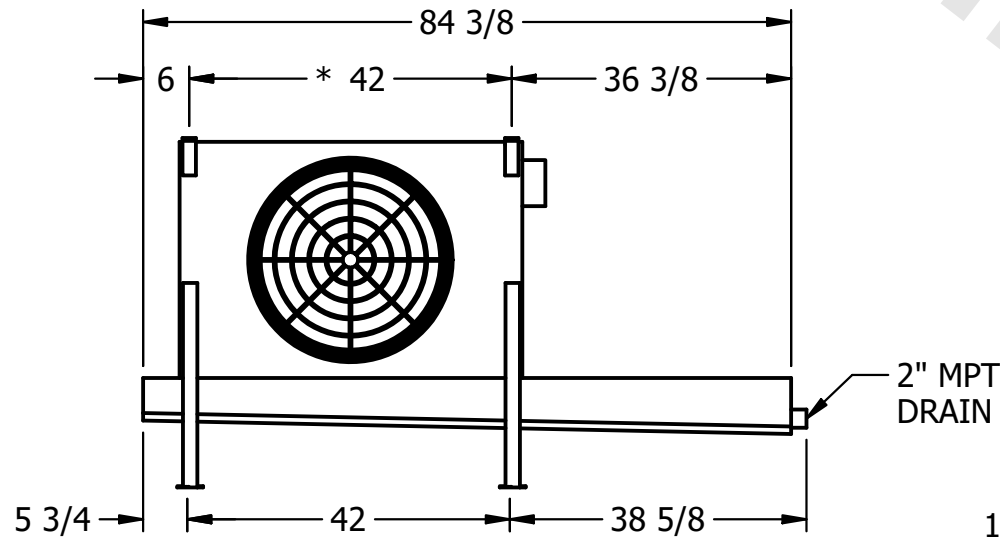
**CONFIDENTIAL**

This document is the property of Evapco, Inc. It should not be copied or disclosed without prior written authorization.

|          |                               |              |                        |        |                |
|----------|-------------------------------|--------------|------------------------|--------|----------------|
| CUSTOMER | MODEL # U-SSTME1-844H0025C1KA | SCALE N.T.S. | DWG. # USSTM1-SE-12,14 | REV. 0 | DATE 4/11/2026 |
|----------|-------------------------------|--------------|------------------------|--------|----------------|



- NOTES:**
- 1) \* = HANGER HOLE LOCATION.
  - 2) RIGHT HAND MODEL SHOWN.
  - 3) HANGER HOLES ARE FOR 3/4 INCH THREADED ROD.
  - 4) ALL DIMENSIONS ARE FOR REFERENCE AND SHOULD NOT BE USED FOR PREFABRICATION OF PIPING OR SUPPORTS.



|         |      |                                    |                                     |
|---------|------|------------------------------------|-------------------------------------|
| PROJECT | ROOM | SHIPPING WEIGHT 530 lbs+ [245] kg+ | OPERATING WEIGHT 570 lbs+ [260] kg+ |
|---------|------|------------------------------------|-------------------------------------|