

CONFIDENTIAL

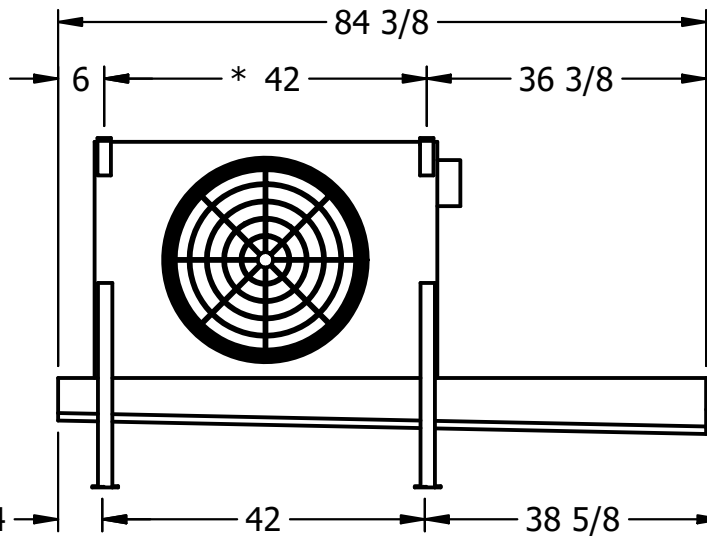
This document is the property of Evapco, Inc. It should not be copied or disclosed without prior written authorization.

CUSTOMER	MODEL #	U-SSTME1-746F0025C1KA	SCALE	N.T.S.	DWG. #	USSTM1-SE-12,14	REV.	0	DATE	6/2/2026
----------	---------	-----------------------	-------	--------	--------	-----------------	------	---	------	----------



NOTES:

- 1) * = HANGER HOLE LOCATION.
- 2) RIGHT HAND MODEL SHOWN.
- 3) HANGER HOLES ARE FOR 3/4 INCH THREADED ROD.
- 4) ALL DIMENSIONS ARE FOR REFERENCE AND SHOULD NOT BE USED FOR PREFABRICATION OF PIPING OR SUPPORTS.



2" MPT
DRAIN



AIR
FLOW

PROJECT	ROOM	SHIPPING WEIGHT	470 lbs+ [215] kg+	OPERATING WEIGHT	510 lbs+ [235] kg+
---------	------	-----------------	--------------------	------------------	--------------------