

**CONFIDENTIAL**

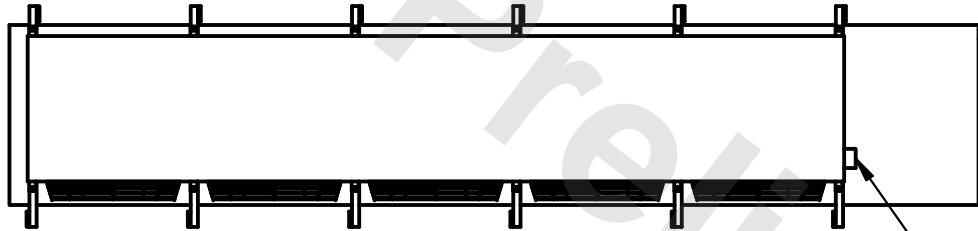
This document is the property of Evapco, Inc. It should not be copied or disclosed without prior written authorization.

CUSTOMER	MODEL # U-SSTME5-47106F0050F3KA	SCALE N.T.S.	DWG. # USSTM5-SE-16,18	REV. 0	DATE 6/3/2026
----------	---------------------------------	--------------	------------------------	--------	---------------

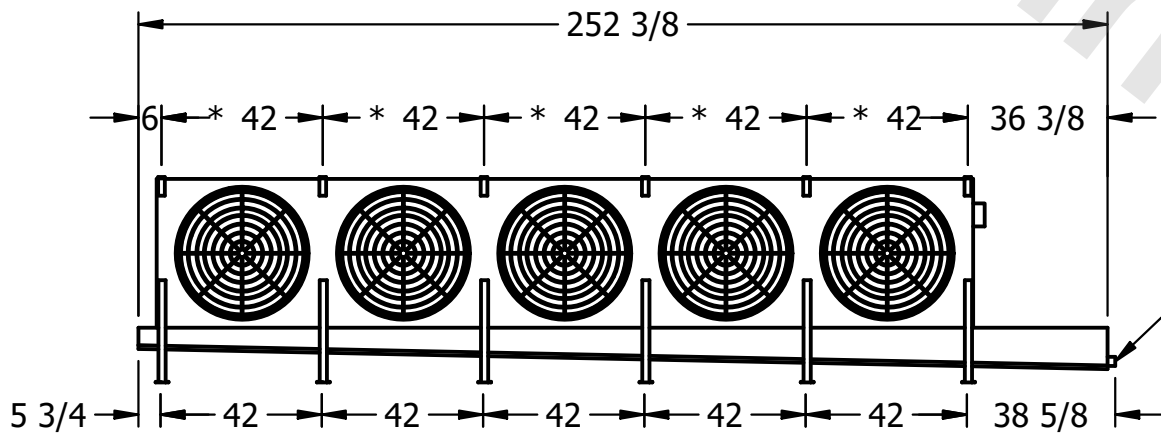


NOTES:

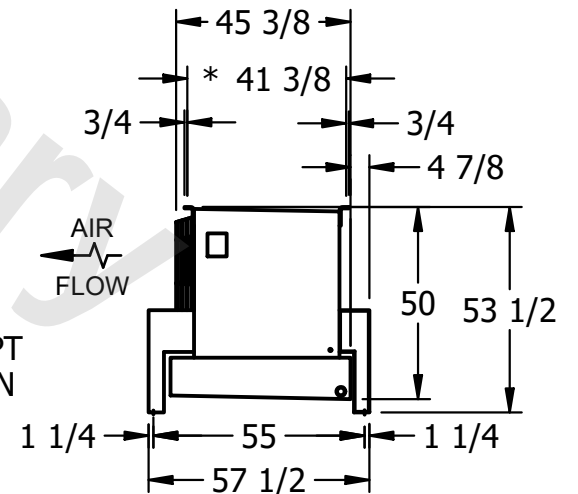
- 1) \* = HANGER HOLE LOCATION.
- 2) RIGHT HAND MODEL SHOWN.
- 3) HANGER HOLES ARE FOR 3/4 INCH THREADED ROD.
- 4) ALL DIMENSIONS ARE FOR REFERENCE AND SHOULD NOT BE USED FOR PREFABRICATION OF PIPING OR SUPPORTS.



NEMA 4X  
JUNCTION BOX



2" MPT  
DRAIN



PROJECT	ROOM	SHIPPING WEIGHT 2940 lbs+ [1335] kg+	OPERATING WEIGHT 3650 lbs+ [1660] kg+
---------	------	--------------------------------------	---------------------------------------