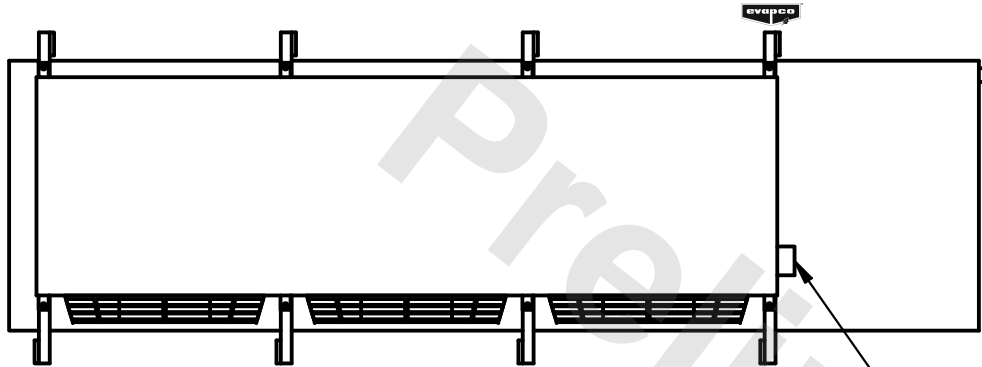


**CONFIDENTIAL**

This document is the property of Evapco, Inc. It should not be copied or disclosed without prior written authorization.

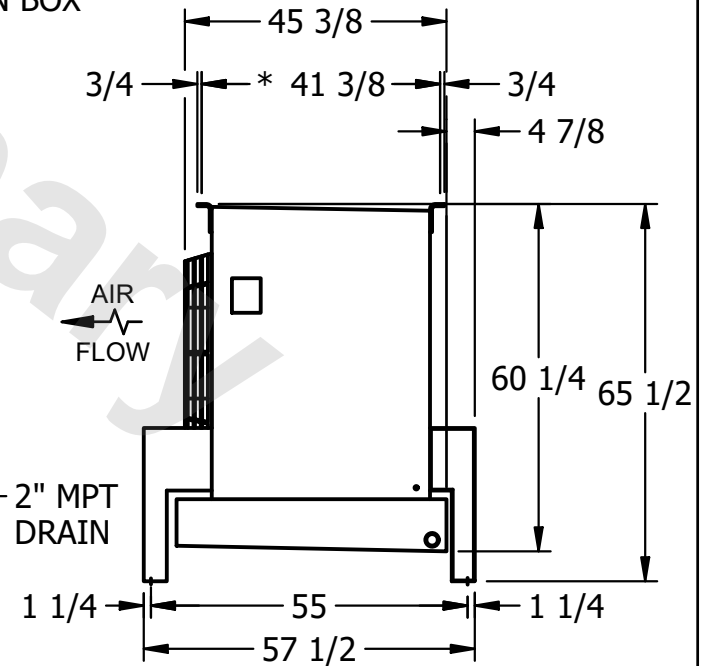
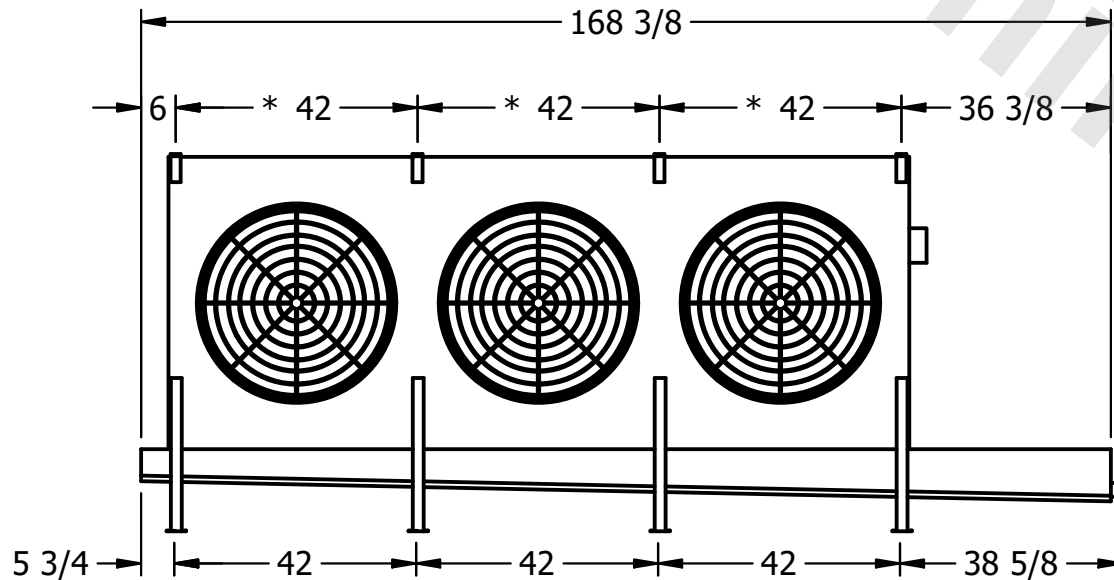
|          |                                |              |                     |        |                 |
|----------|--------------------------------|--------------|---------------------|--------|-----------------|
| CUSTOMER | MODEL # U-SSTME3-4244F0033F1KA | SCALE N.T.S. | DWG. # USSTM3-SE-24 | REV. 0 | DATE 11/22/2025 |
|----------|--------------------------------|--------------|---------------------|--------|-----------------|



**NOTES:**

- 1) \* = HANGER HOLE LOCATION.
- 2) RIGHT HAND MODEL SHOWN.
- 3) HANGER HOLES ARE FOR 3/4 INCH THREADED ROD.
- 4) ALL DIMENSIONS ARE FOR REFERENCE AND SHOULD NOT BE USED FOR PREFABRICATION OF PIPING OR SUPPORTS.

NEMA 4X  
JUNCTION BOX



|         |      |                                     |                                      |
|---------|------|-------------------------------------|--------------------------------------|
| PROJECT | ROOM | SHIPPING WEIGHT 1420 lbs+ [645] kg+ | OPERATING WEIGHT 1620 lbs+ [735] kg+ |
|---------|------|-------------------------------------|--------------------------------------|