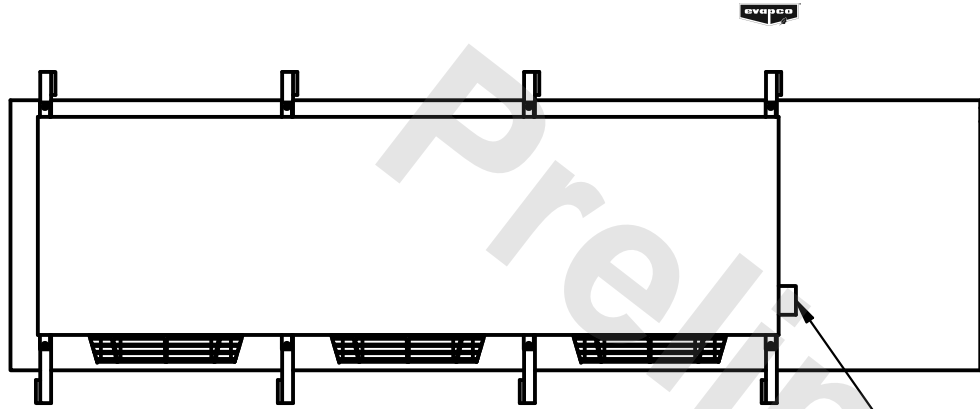


CONFIDENTIAL

This document is the property of Evapco, Inc. It should not be copied or disclosed without prior written authorization.

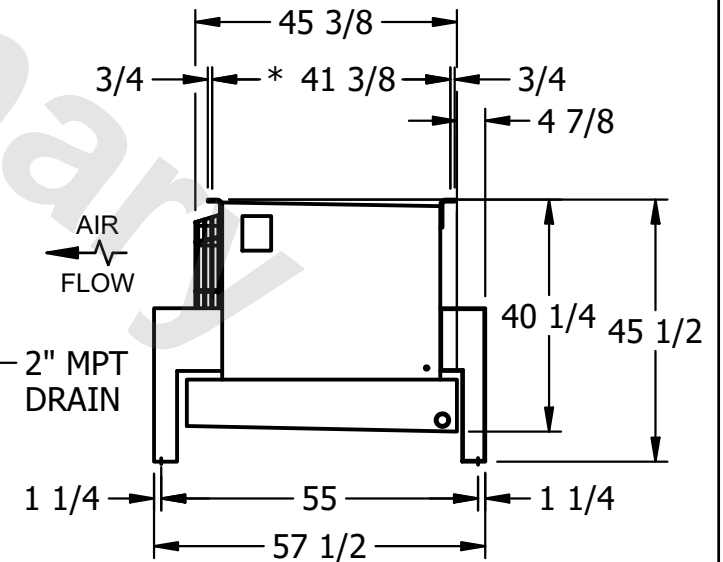
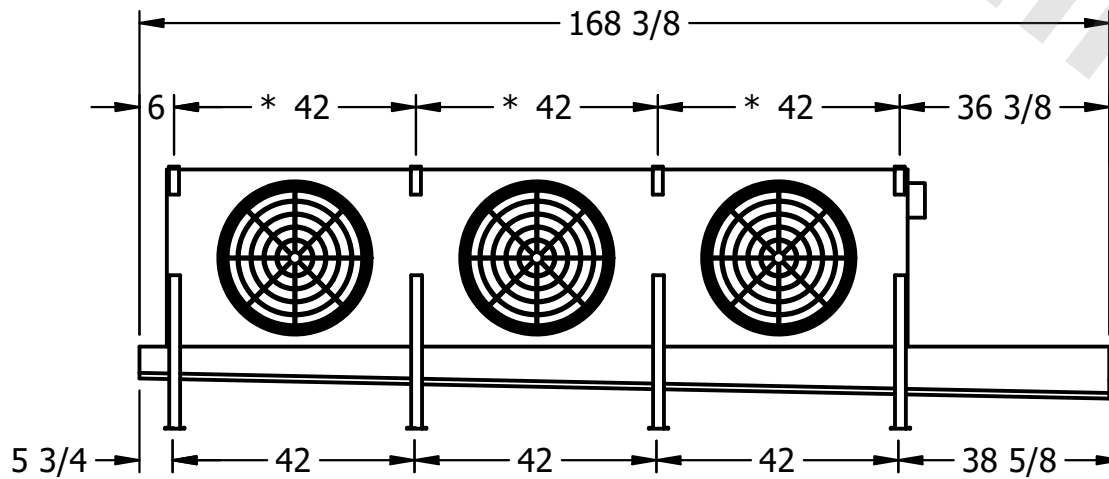
| | | | | | |
|----------|--------------------------------|--------------|------------------------|--------|----------------|
| CUSTOMER | MODEL # U-SSTME3-2183F0200C1MA | SCALE N.T.S. | DWG. # USSTM3-SE-12,14 | REV. 0 | DATE 6/28/2026 |
|----------|--------------------------------|--------------|------------------------|--------|----------------|



NEMA 4X
JUNCTION BOX

NOTES:

- 1) * = HANGER HOLE LOCATION.
- 2) RIGHT HAND MODEL SHOWN.
- 3) HANGER HOLES ARE FOR 3/4 INCH THREADED ROD.
- 4) ALL DIMENSIONS ARE FOR REFERENCE AND SHOULD NOT BE USED FOR PREFABRICATION OF PIPING OR SUPPORTS.



| | | | |
|---------|------|-------------------------------------|--------------------------------------|
| PROJECT | ROOM | SHIPPING WEIGHT 1260 lbs+ [575] kg+ | OPERATING WEIGHT 1430 lbs+ [650] kg+ |
|---------|------|-------------------------------------|--------------------------------------|