

**CONFIDENTIAL**

This document is the property of Evapco, Inc. It should not be copied or disclosed without prior written authorization.

**EVAPCO, INC.**



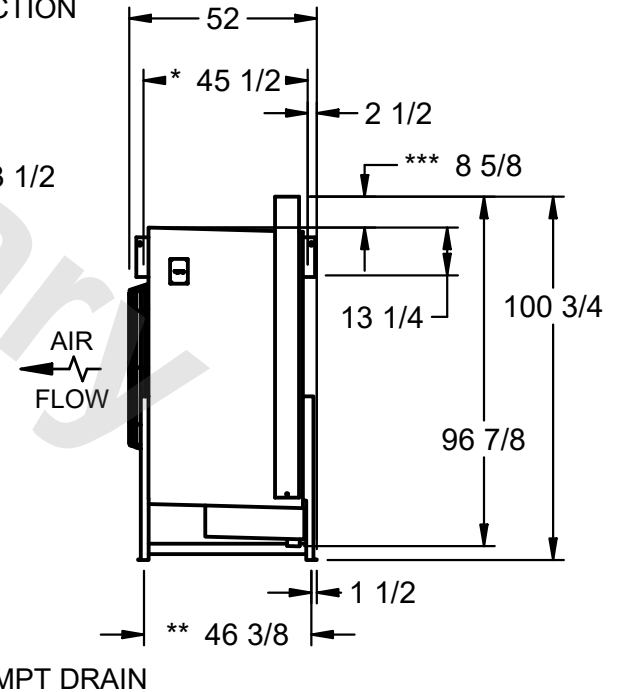
|          |                                 |              |                          |        |               |
|----------|---------------------------------|--------------|--------------------------|--------|---------------|
| CUSTOMER | MODEL # EJETHE4-134124H0750K1LA | SCALE N.T.S. | DWG. # EJETHE4-SE-36-12R | REV. 0 | DATE 6/1/2026 |
|----------|---------------------------------|--------------|--------------------------|--------|---------------|

**NOTES:**

- 1) \* = HANGER HOLE LOCATION.  
\*\* = FOOT PLATE MOUNTING HOLE LOCATION
- 2) RIGHT HAND MODEL SHOWN.
- 3) HANGER HOLES ARE FOR 3/4 INCH THREADED ROD.
- 4) WATER DEFROST ADDS 6" INCHES TO HEIGHT OF STANDARD UNIT AND CHANGES DRAIN SIZE.
- 5) ALL DIMENSIONS ARE FOR REFERENCE AND SHOULD NOT BE USED FOR PREFABRICATION OF PIPING OR SUPPORTS.
- 6) \*\*\* = HEIGHT OF SUCTION HEADER AND INSTALLED THERMOWELL FITTING ABOVE CABINET. CUSTOMER IS RESPONSIBLE TO ACCOUNT FOR ADDITIONAL HEIGHT NECESSARY FOR RTD AND ACCESS.



NEMA 4X JUNCTION BOX



3" MPT DRAIN

|         |      |                           |                            |
|---------|------|---------------------------|----------------------------|
| PROJECT | ROOM | SHIPPING WEIGHT 10500 lbs | OPERATING WEIGHT 12400 lbs |
|---------|------|---------------------------|----------------------------|