

# EVAPCO, INC.

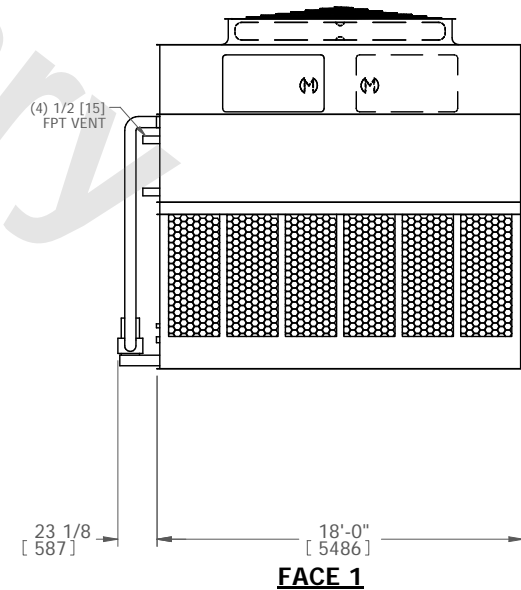
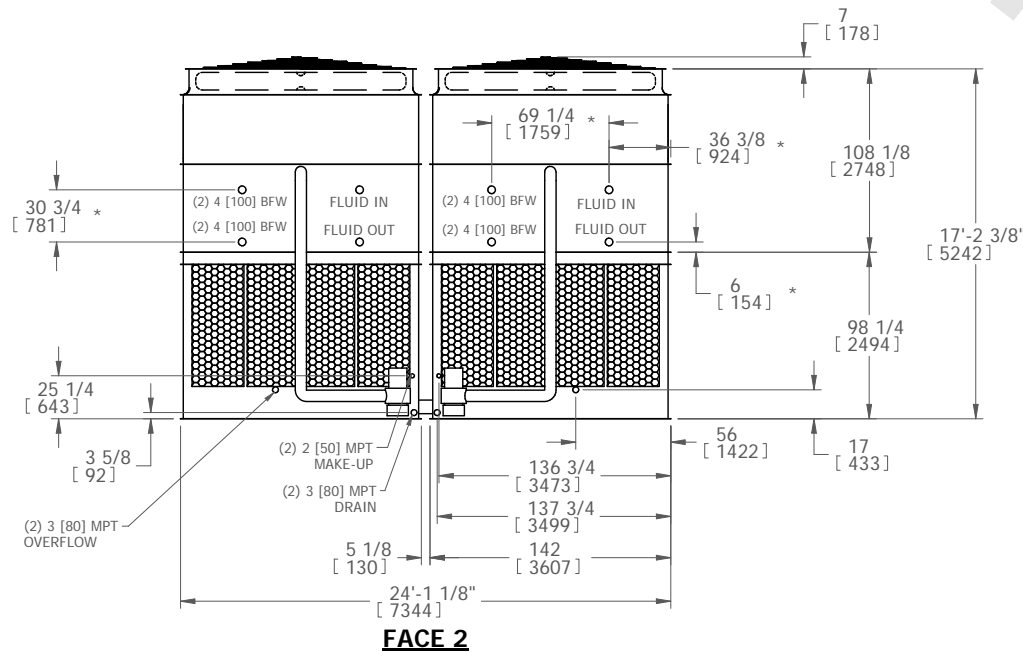
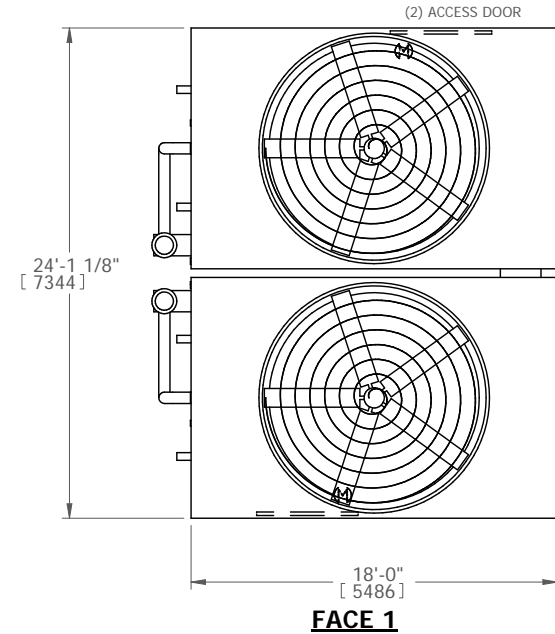


UNIT <b>CLOSED CIRCUIT COOLER</b>	MODEL # <b>ATWB 24-4L18</b>	SCALE	DWG. # <b>WB3241808-DRA-ST</b>	REV.	DATE <b>4/29/2026</b>	SERIAL #
--------------------------------------	--------------------------------	-------	-----------------------------------	------	--------------------------	----------

**NOTES:**

1. (M)- FAN MOTOR LOCATION
2. HEAVIEST SECTION IS UPPER SECTION
3. MPT DENOTES MALE PIPE THREAD  
FPT DENOTES FEMALE PIPE THREAD  
BFW DENOTES BEVELED FOR WELDING
4. +UNIT WEIGHT DOES NOT INCLUDE ACCESSORIES (SEE ACCESSORY DRAWINGS)
5. MAKE-UP WATER PRESSURE  
20 psi MIN [137 kPa], 50 psi MAX [344 kPa]
6. \*-APPROXIMATE DIMENSIONS DO NOT USE FOR PRE-FABRICATION OF CONNECTING PIPING

**FACE 2  
PLAN VIEW**



SHIPPING WEIGHT <b>47880 lbs+ [21718] kg+</b>	OPERATING WEIGHT <b>76220 lbs+ [34573] kg+</b>	HEAVIEST SECTION WEIGHT <b>20020 lbs+ [9081] kg+</b>	NO. OF SHIPPING SECTIONS <b>4</b>
--	---	---	--------------------------------------