

UNIT	CLOSED CIRCUIT COOLER	
MODEL #	LSWE 5-7J12-Z	SCALE NTS

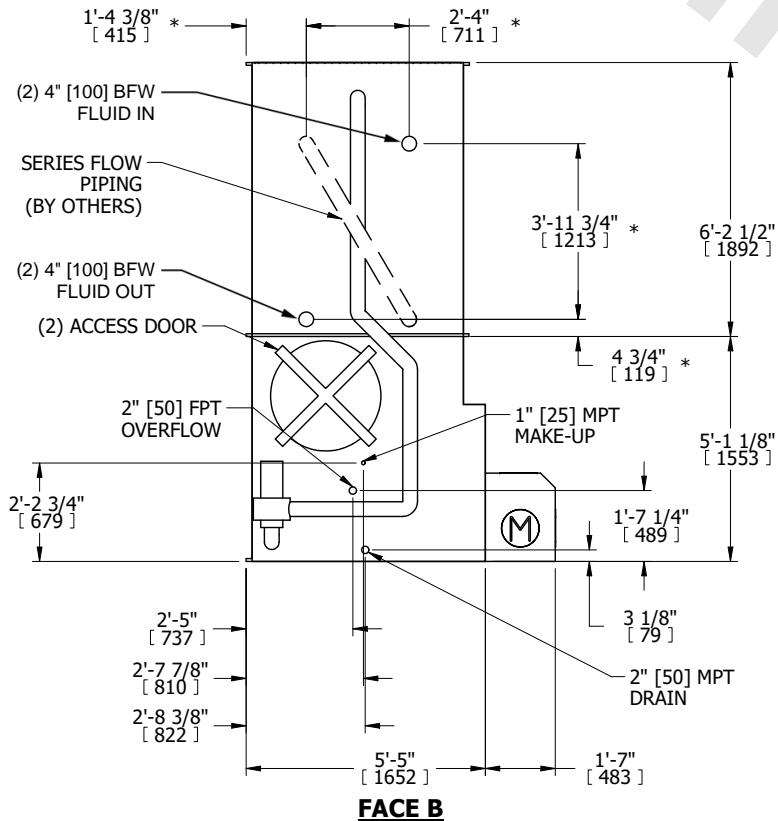
EVAPCO, INC.

DWG. #	WLE051214-DRD-SF	REV.	-
SERIAL #		DATE	4/4/2026

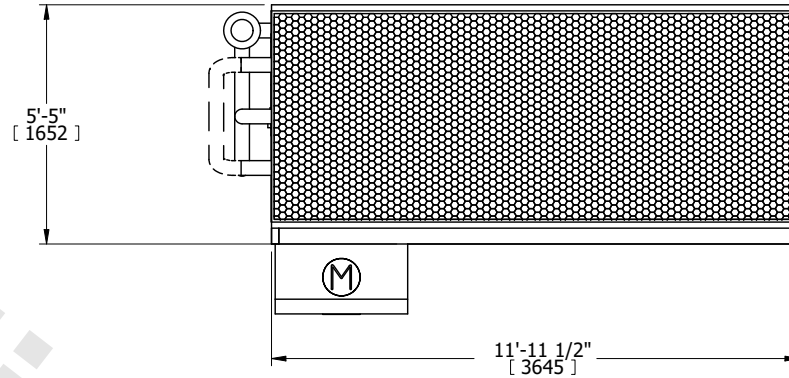
NOTES:

- (M)- FAN MOTOR LOCATION
- MPT DENOTES MALE PIPE THREAD
FPT DENOTES FEMALE PIPE THREAD
BFW DENOTES BEVELED FOR WELDING
GVD DENOTES GROOVED
FLG DENOTES FLANGE
PE DENOTES PLAIN END
- +UNIT WEIGHT DOES NOT INCLUDE ACCESSORIES (SEE ACCESSORY DRAWINGS)
- 3/4" [19mm] DIA. MOUNTING HOLES. REFER TO RECOMMENDED STEEL SUPPORT DRAWING
- DIMENSIONS LISTED AS FOLLOWS: ENGLISH FT IN [METRIC] [mm]
- * - APPROXIMATE DIMENSIONS DO NOT USE FOR PRE-FABRICATION OF CONNECTING PIPING
- HEAVIEST SECTION IS COIL SECTION
- MAKE-UP WATER PRESSURE
20 psi [137 kPa] MIN, 50 psi [344 kPa] MAX
- SERIES FLOW PIPING AND AUX. CROSSOVER DRAIN ARE BY OTHERS

**FACE B
PLAN VIEW**

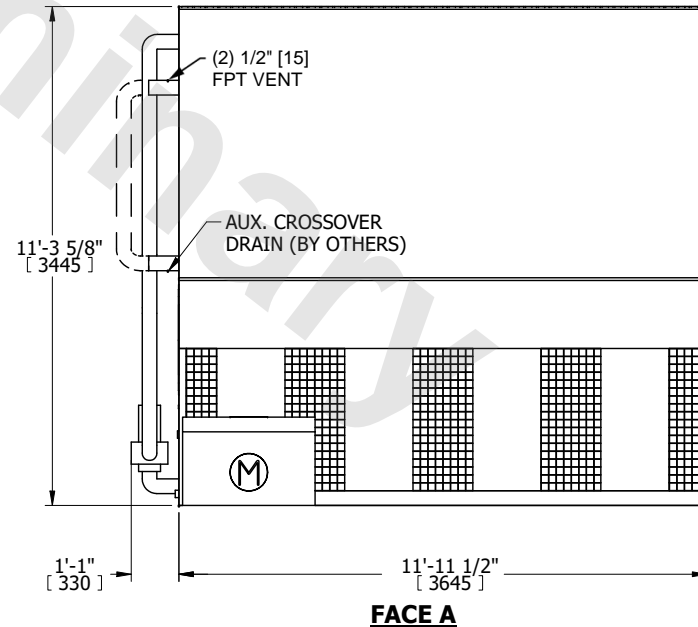


FACE C



FACE D

FACE A



SHIPPING WEIGHT 10720 lbs+ [4865] kg+

OPERATING WEIGHT 15520 lbs+ [7040] kg+

HEAVIEST SECTION WEIGHT 8030 lbs+ [3645] kg+

NO. OF SHIPPING SECTIONS 2

DRAWN BY: TLS