

EVAPCO, INC.

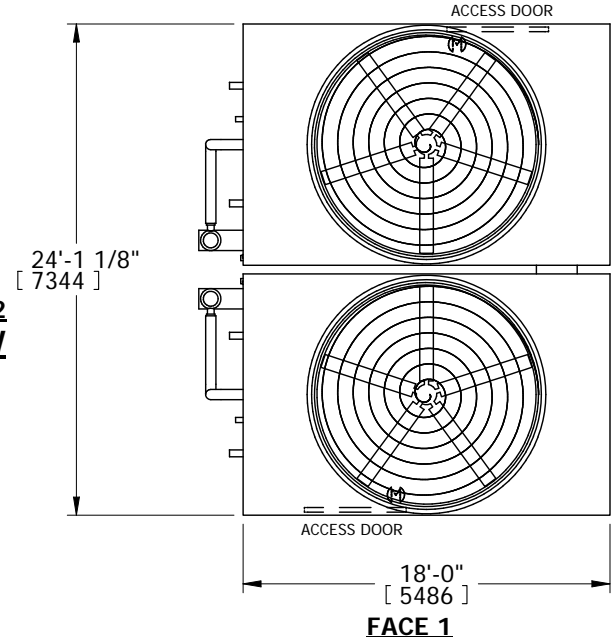


UNIT CLOSED CIRCUIT COOLER	MODEL # eco-ATWB 24-3L18	SCALE N.T.S.	DWG. # EG241806-DRA-ST	REV. -	DATE 5/22/2026	SERIAL #
--------------------------------------	------------------------------------	------------------------	----------------------------------	------------------	--------------------------	----------

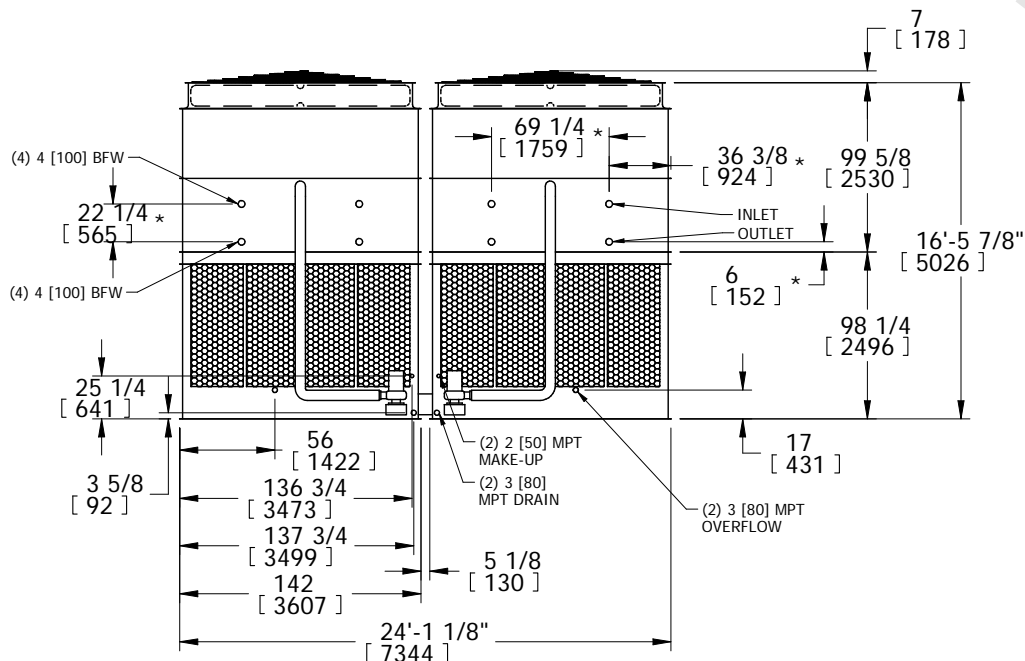
- NOTES:**
- (M)- FAN MOTOR LOCATION
 - HEAVIEST SECTION IS UPPER SECTION
 - MPT DENOTES MALE PIPE THREAD
FPT DENOTES FEMALE PIPE THREAD
BFW DENOTES BEVELED FOR WELDING
 - +UNIT WEIGHT DOES NOT INCLUDE ACCESSORIES (SEE ACCESSORY DRAWINGS)
 - MAKE-UP WATER PRESSURE
20 psi MIN [137 kPa], 50 psi MAX [344 kPa]
 - * -APPROXIMATE DIMENSIONS DO NOT USE FOR PRE-FABRICATION OF CONNECTING PIPING
 - VENT PROVIDED ON CLOSED CIRCUIT COOLERS ONLY

Preliminary

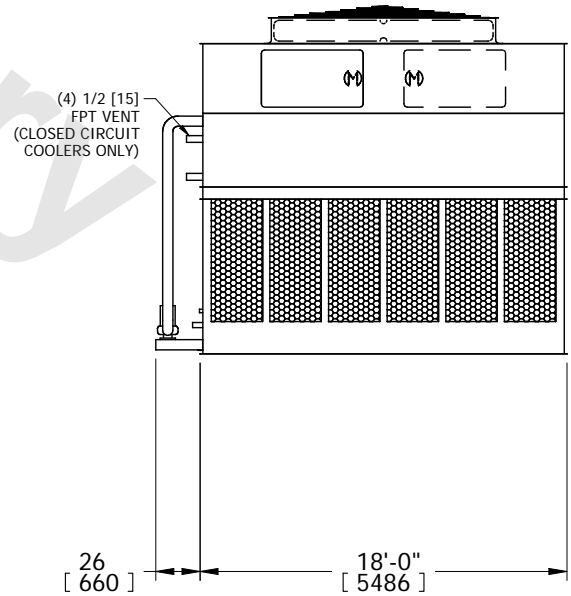
**FACE 2
PLAN VIEW**



FACE 1



FACE 2



FACE 1

SHIPPING WEIGHT 48680 lbs+ [22085] kg+	OPERATING WEIGHT 74540 lbs+ [33815] kg+	HEAVIEST SECTION WEIGHT 20420 lbs+ [9265] kg+	NO. OF SHIPPING SECTIONS 4
--	---	---	--------------------------------------