

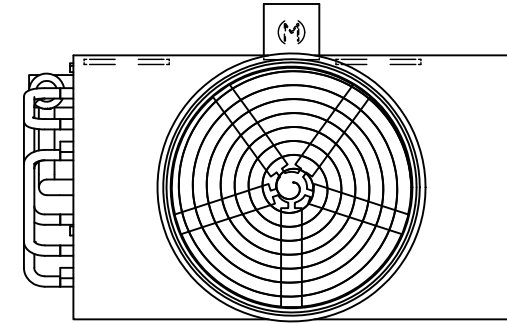
EVAPCO, INC.



| | | | | | | |
|-------------------------------|------------------------------------|----------------|----------------------------|-----------|------------------|----------|
| UNIT CLOSED CIRCUIT COOLER | MODEL # eco-ATWB-H 9-2114-Z-U34 | SCALE N.T.S | DWG. # EGH0914MR-DRC-SF | REV. - | DATE 4/5/2026 | SERIAL # |
|-------------------------------|------------------------------------|----------------|----------------------------|-----------|------------------|----------|

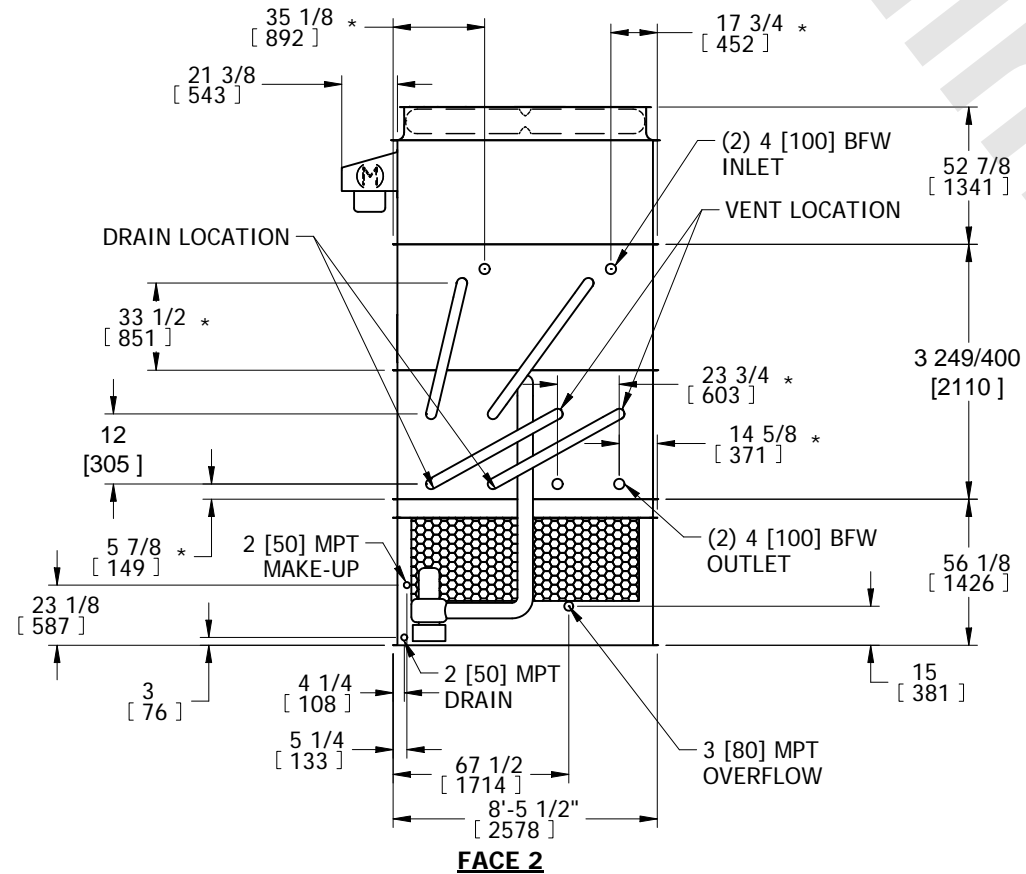
- NOTES:
- (M)- FAN MOTOR LOCATION
 - HEAVIEST SECTION IS COIL SECTION
 - MPT DENOTES MALE PIPE THREAD
FPT DENOTES FEMALE PIPE THREAD
BFW DENOTES BEVELED FOR WELDING
 - +UNIT WEIGHT DOES NOT INCLUDE ACCESSORIES (SEE ACCESSORY DRAWINGS)
 - MAKE-UP WATER PRESSURE
20 psi MIN [137 kPa], 50 psi MAX [344 kPa]

- DIMENSIONS LISTED AS FOLLOWS:
ENGLISH IN
[METRIC] [mm]
- * - APPROXIMATE DIMENSIONS DO NOT USE FOR PRE-FABRICATION OF CONNECTING PIPING.

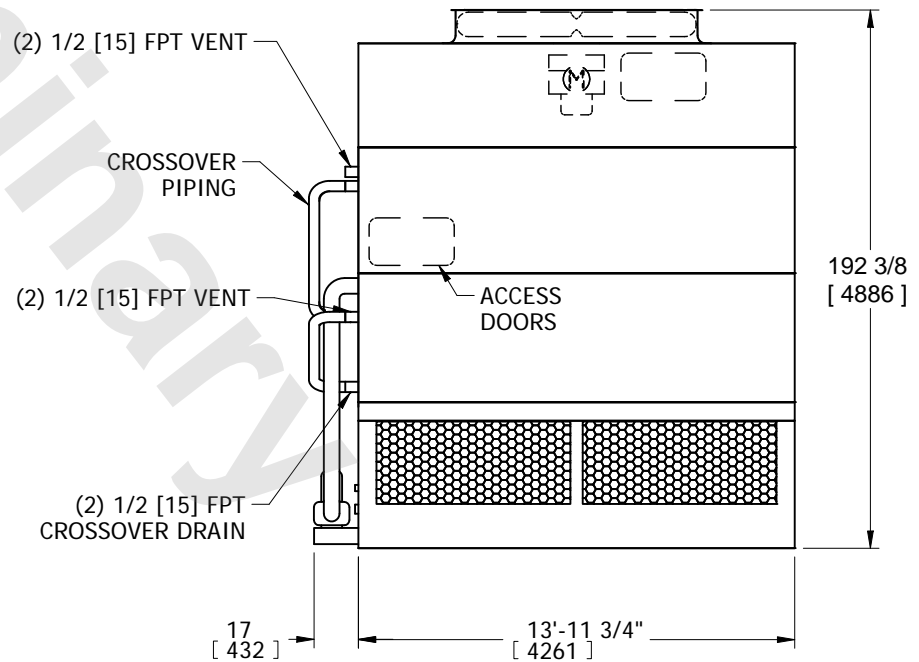


**FACE 2
PLAN VIEW**

FACE 1



FACE 2



FACE 1

| | | | | |
|--|---|--|-------------------------------|------------------|
| SHIPPING WEIGHT 15050 lbs+ [6830] kg+ | OPERATING WEIGHT 20830 lbs+ [9450] kg+ | HEAVIEST SECTION WEIGHT 10550 lbs+ [4785] kg+ | NO. OF SHIPPING SECTIONS 3 | DRAWN BY: SFR |
|--|---|--|-------------------------------|------------------|