

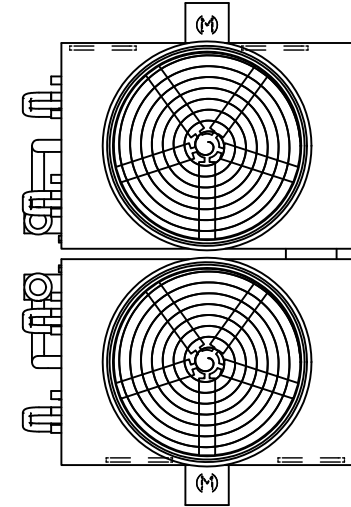
EVAPCO, INC.



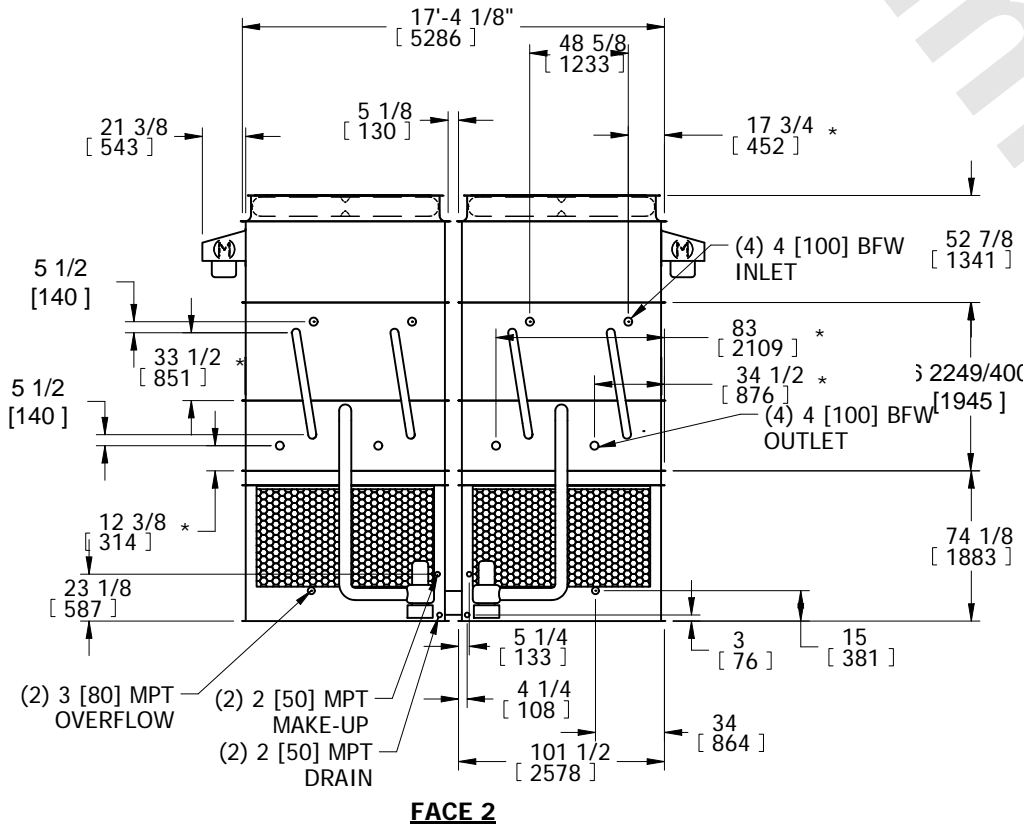
UNIT CLOSED CIRCUIT COOLER	MODEL # eco-ATWB-H 17-1112-U12	SCALE N.T.S.	DWG. # EGH171202-DRD-ST	REV. -	DATE 5/1/2026	SERIAL #
-------------------------------	-----------------------------------	-----------------	----------------------------	-----------	------------------	----------

- NOTES:
- (M)- FAN MOTOR LOCATION
 - HEAVIEST SECTION IS COIL SECTION
 - MPT DENOTES MALE PIPE THREAD
FPT DENOTES FEMALE PIPE THREAD
BFW DENOTES BEVELED FOR WELDING
 - +UNIT WEIGHT DOES NOT INCLUDE ACCESSORIES (SEE ACCESSORY DRAWINGS)
 - MAKE-UP WATER PRESSURE
20 psi MIN [137 kPa], 50 psi MAX [344 kPa]

- DIMENSIONS LISTED AS FOLLOWS:
ENGLISH IN
[METRIC] [mm]
- * - APPROXIMATE DIMENSIONS DO NOT USE FOR PRE-FABRICATION OF CONNECTING PIPING.



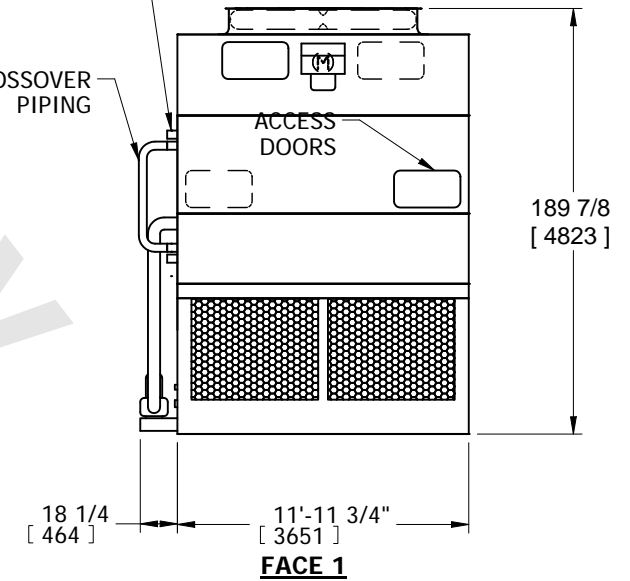
**FACE 2
PLAN VIEW**



(4) 1/2 [15] FPT VENT

CROSSOVER PIPING

FACE 1



FACE 1

SHIPPING WEIGHT 19390 lbs+ [8800] kg+	OPERATING WEIGHT 27730 lbs+ [12580] kg+	HEAVIEST SECTION WEIGHT 5540 lbs+ [2510] kg+	NO. OF SHIPPING SECTIONS 6	DRAWN BY: SFR
--	--	---	-------------------------------	------------------