

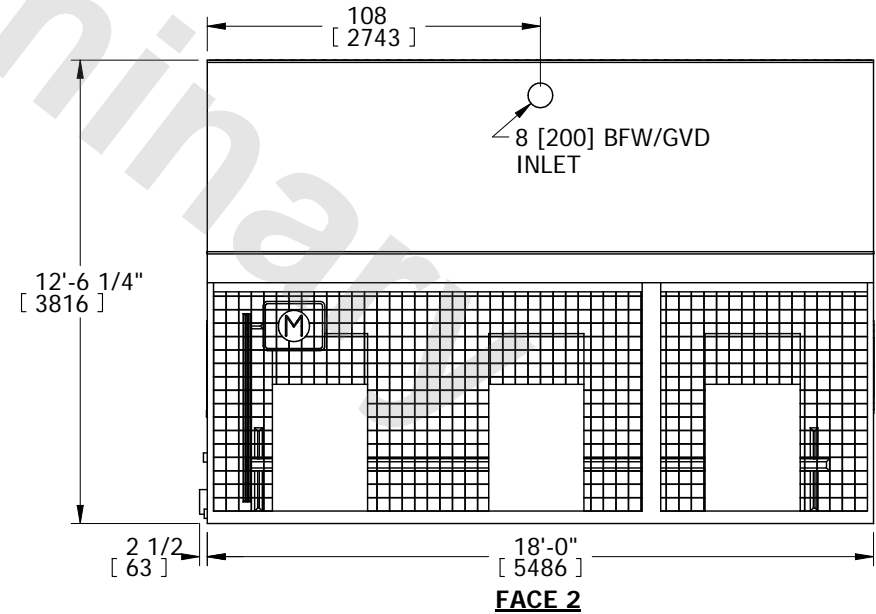
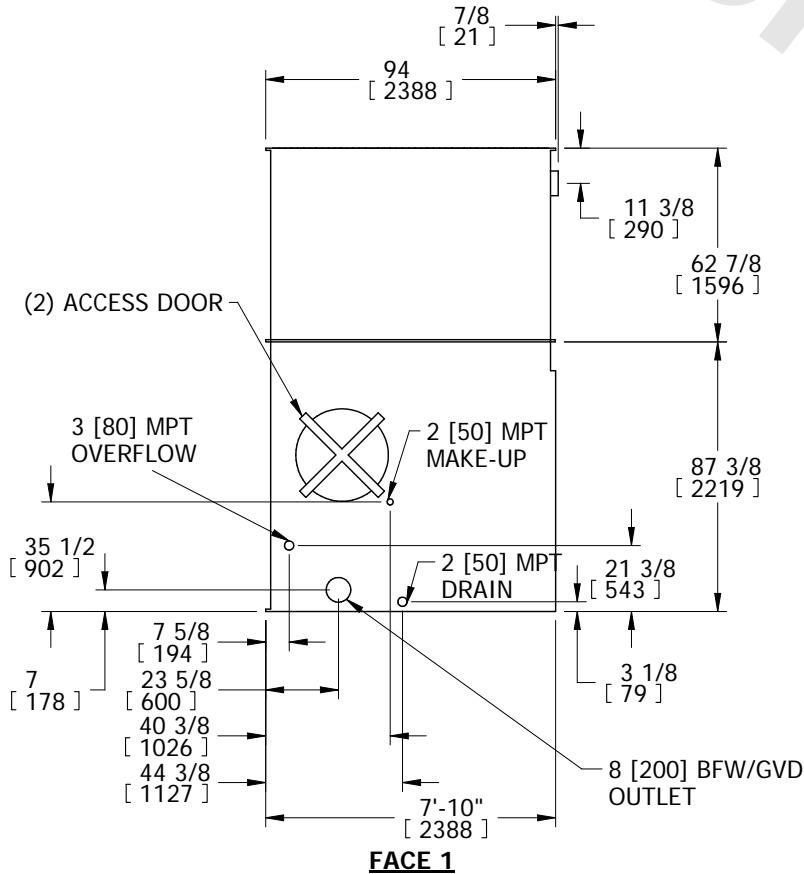
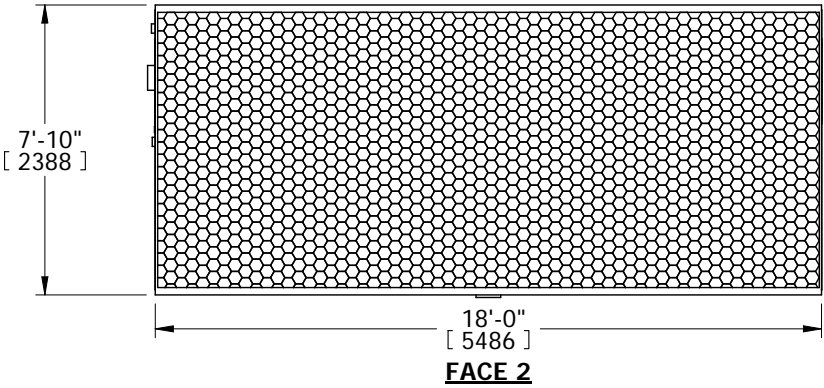
# EVAPCO, INC.



|                              |                              |                        |                                   |                  |                          |          |
|------------------------------|------------------------------|------------------------|-----------------------------------|------------------|--------------------------|----------|
| UNIT<br><b>COOLING TOWER</b> | MODEL #<br><b>LSTE-8P118</b> | SCALE<br><b>N.T.S.</b> | DWG. #<br><b>TLEOP1824-DRA-ST</b> | REV.<br><b>-</b> | DATE<br><b>5/25/2026</b> | SERIAL # |
|------------------------------|------------------------------|------------------------|-----------------------------------|------------------|--------------------------|----------|

- NOTES:
- (M)- FAN MOTOR LOCATION
  - HEAVIEST SECTION IS LOWER SECTION
  - MPT DENOTES MALE PIPE THREAD  
FPT DENOTES FEMALE PIPE THREAD  
BFW DENOTES BEVELED FOR WELDING  
GVD DENOTES GROOVED FOR VICTAULIC
  - +UNIT WEIGHT DOES NOT INCLUDE ACCESSORIES (SEE ACCESSORY DRAWINGS)
  - MAKE-UP WATER PRESSURE  
20 psi MIN [137 kPa], 50 psi MAX [344 kPa]
  - 3/4" [19mm] DIA. MOUNTING HOLES. REFER TO RECOMMENDED STEEL SUPPORT DRAWING
  - DIMENSIONS LISTED AS FOLLOWS: ENGLISH IN [METRIC] [mm]

**FACE 1  
PLAN VIEW**



|   |   |   |                               |
|---|---|---|-------------------------------|
| SHIPPING WEIGHT<br>8190 lbs+ [3715] kg+ | OPERATING WEIGHT<br>13540 lbs+ [6142] kg+ | HEAVIEST SECTION WEIGHT<br>5220 lbs+ [2368] kg+ | NO. OF SHIPPING SECTIONS<br>2 |
|---|---|---|-------------------------------|