

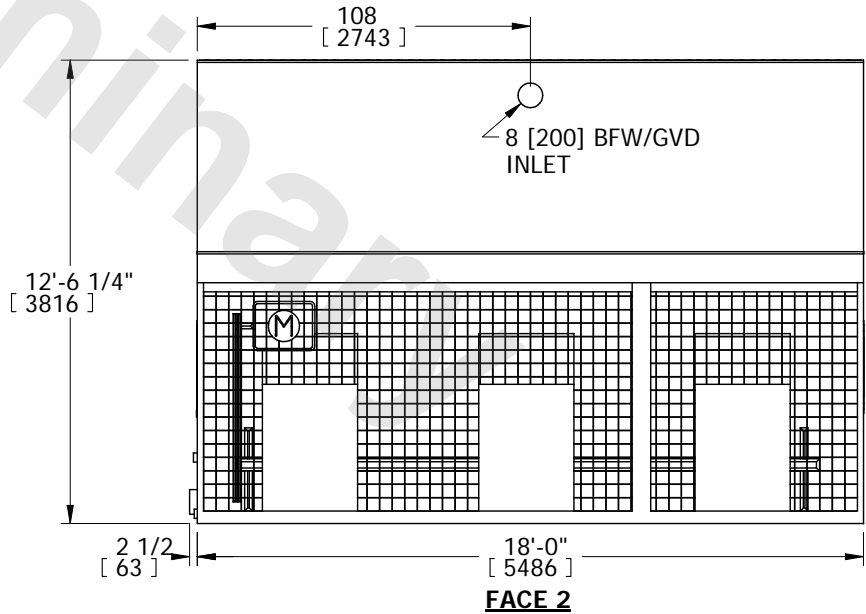
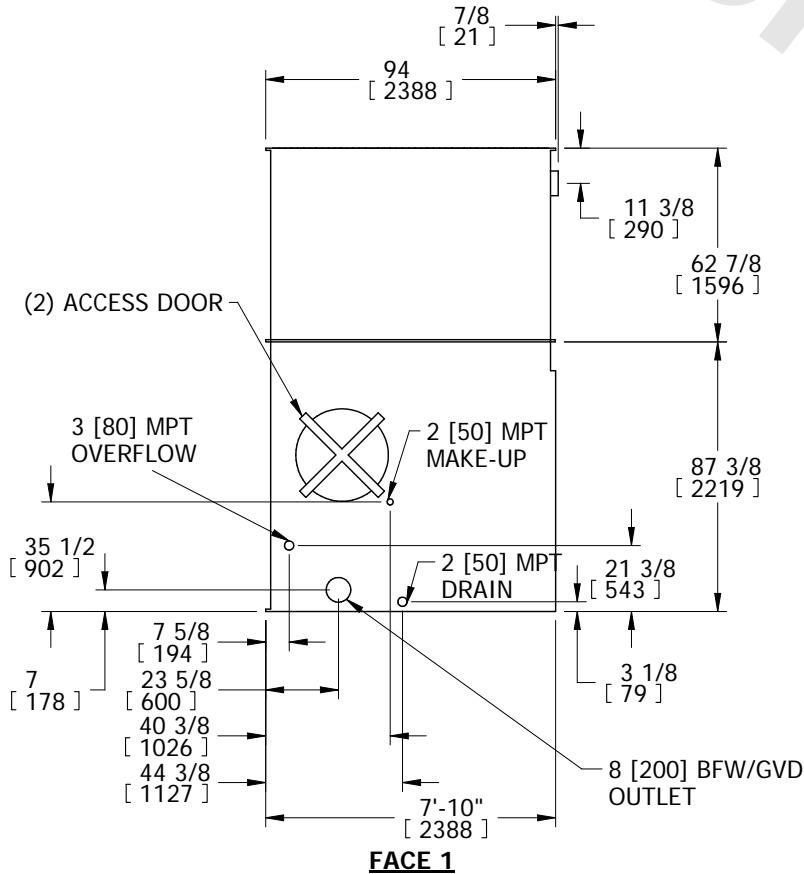
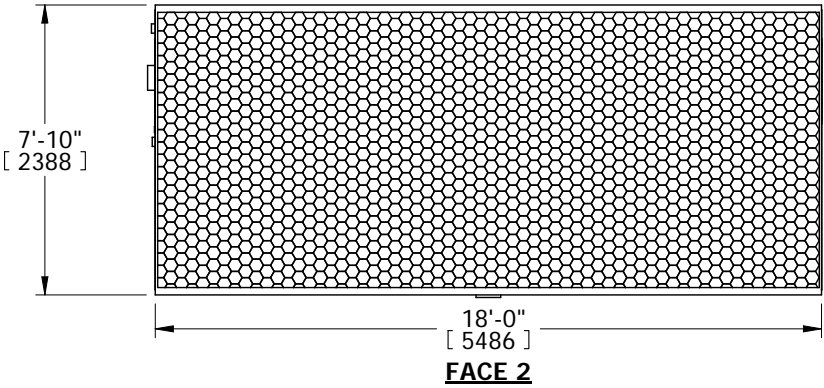
# EVAPCO, INC.



UNIT <b>COOLING TOWER</b>	MODEL # <b>LSTE-8P218</b>	SCALE <b>N.T.S.</b>	DWG. # <b>TLEOP1824-DRA-ST</b>	REV. <b>-</b>	DATE <b>5/24/2026</b>	SERIAL #
------------------------------	------------------------------	------------------------	-----------------------------------	------------------	--------------------------	----------

- NOTES:
- (M)- FAN MOTOR LOCATION
  - HEAVIEST SECTION IS LOWER SECTION
  - MPT DENOTES MALE PIPE THREAD  
FPT DENOTES FEMALE PIPE THREAD  
BFW DENOTES BEVELED FOR WELDING  
GVD DENOTES GROOVED FOR VICTAULIC
  - +UNIT WEIGHT DOES NOT INCLUDE ACCESSORIES (SEE ACCESSORY DRAWINGS)
  - MAKE-UP WATER PRESSURE  
20 psi MIN [137 kPa], 50 psi MAX [344 kPa]
  - 3/4" [19mm] DIA. MOUNTING HOLES. REFER TO RECOMMENDED STEEL SUPPORT DRAWING
  - DIMENSIONS LISTED AS FOLLOWS: ENGLISH IN [METRIC] [mm]

**FACE 1  
PLAN VIEW**



SHIPPING WEIGHT 8190 lbs+ [3715] kg+	OPERATING WEIGHT 13540 lbs+ [6142] kg+	HEAVIEST SECTION WEIGHT 5220 lbs+ [2368] kg+	NO. OF SHIPPING SECTIONS 2
---	---	---	-------------------------------