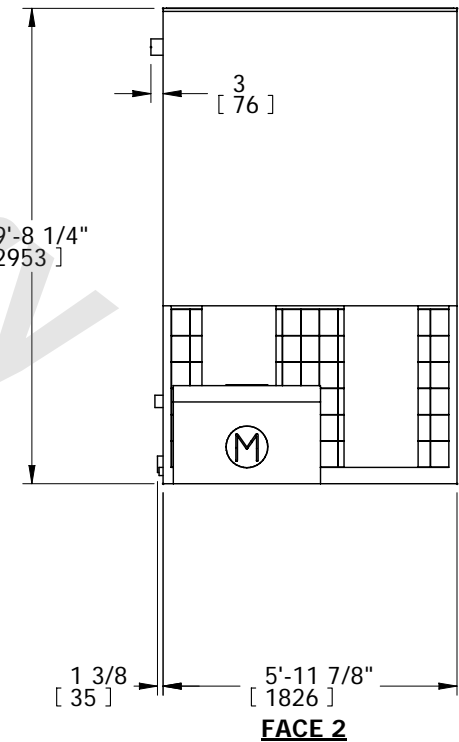
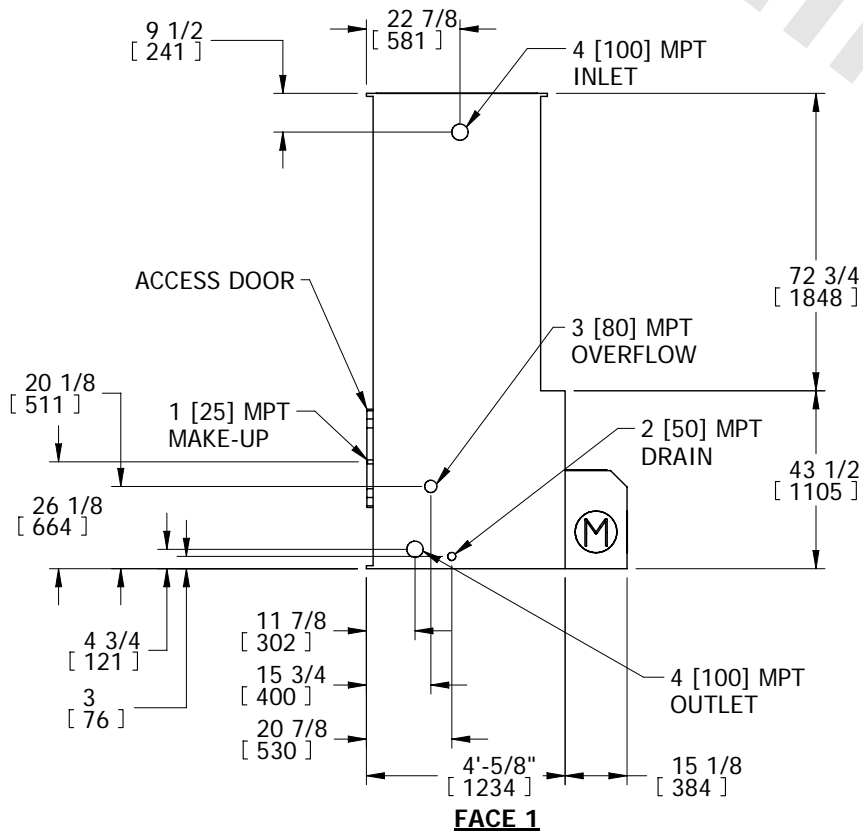
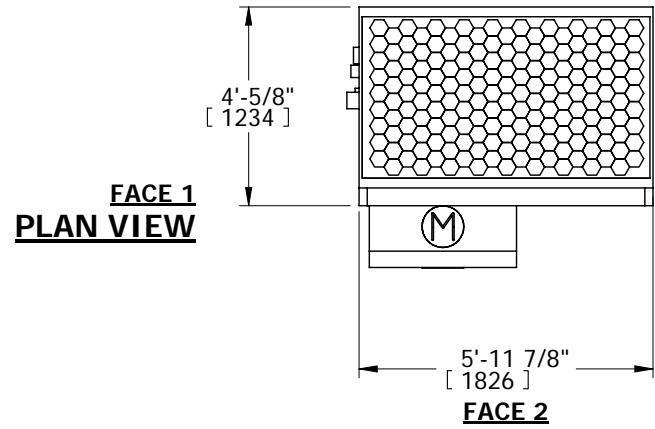


# EVAPCO, INC.



UNIT <b>COOLING TOWER</b>	MODEL # LSTE-466	SCALE N.T.S.	DWG. # TLE040636-DRA-ST	REV. -	DATE 2/4/2026	SERIAL #
------------------------------	---------------------	-----------------	----------------------------	-----------	------------------	----------

- NOTES:
- (M)- FAN MOTOR LOCATION
  - HEAVIEST SECTION IS LOWER SECTION
  - MPT DENOTES MALE PIPE THREAD  
FPT DENOTES FEMALE PIPE THREAD  
BFW DENOTES BEVELED FOR WELDING  
GVD DENOTES GROOVED FOR VICTAULIC
  - +UNIT WEIGHT DOES NOT INCLUDE ACCESSORIES (SEE ACCESSORY DRAWINGS)
  - MAKE-UP WATER PRESSURE  
20 psi MIN [137 kPa], 50 psi MAX [344 kPa]
  - 3/4" [19mm] DIA. MOUNTING HOLES. REFER TO RECOMMENDED STEEL SUPPORT DRAWING
  - DIMENSIONS LISTED AS FOLLOWS: ENGLISH IN [METRIC] [mm]
  - MAKE-UP CONNECTION LOCATED 7 5/8" FROM CONNECTION END OF UNIT



SHIPPING WEIGHT 1810 lbs+ [821] kg+	OPERATING WEIGHT 2470 lbs+ [1120] kg+	HEAVIEST SECTION WEIGHT 1090 lbs+ [494] kg+	NO. OF SHIPPING SECTIONS 2
--	--	--	-------------------------------