

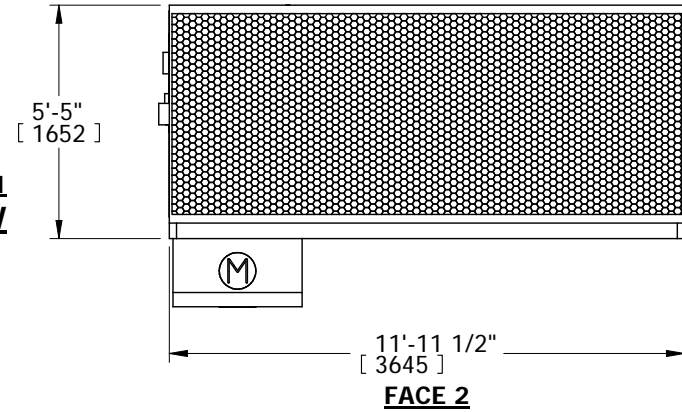
# EVAPCO, INC.



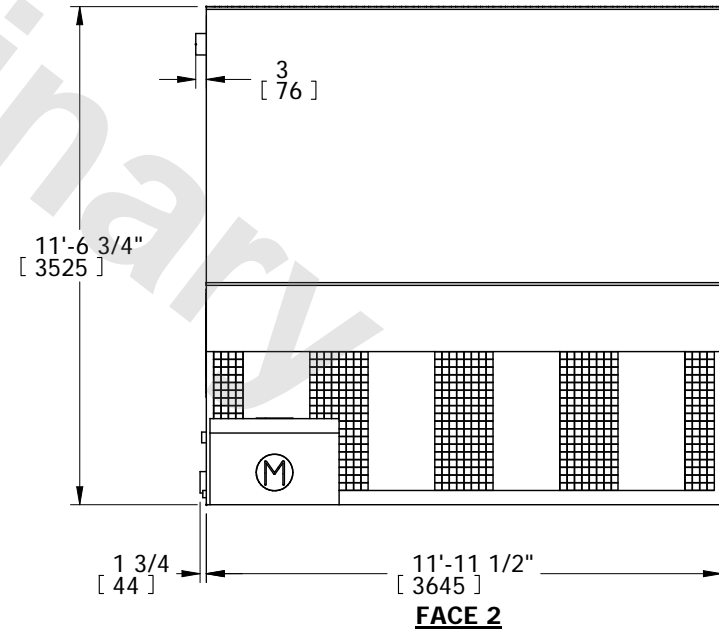
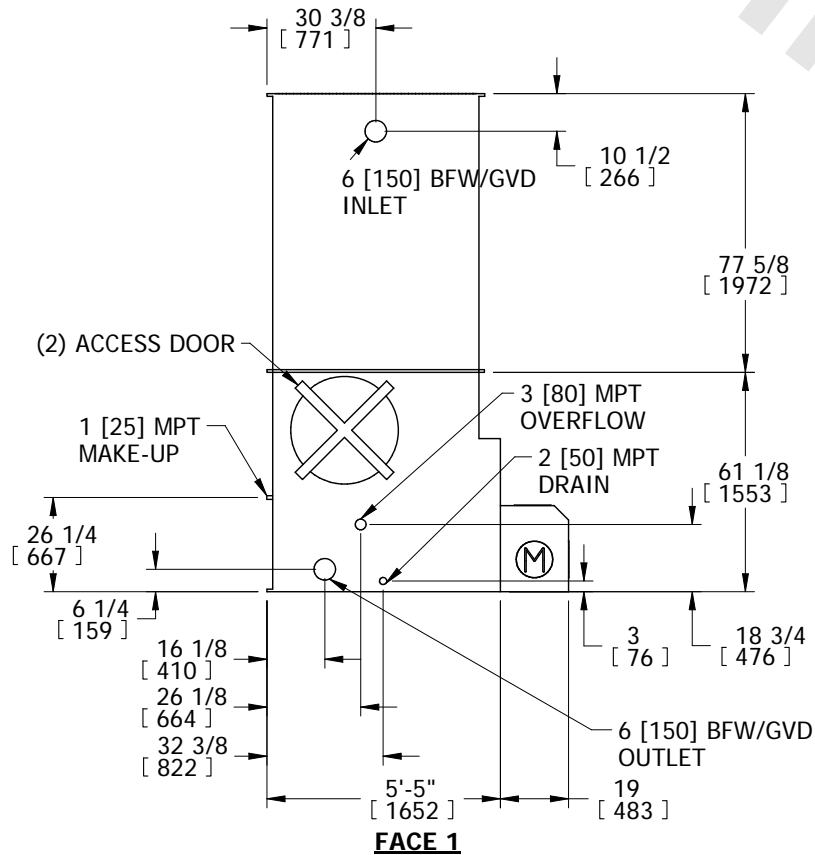
UNIT <b>COOLING TOWER</b>	MODEL # LSTE-5212L	SCALE N.T.S.	DWG. # TLE051236-DRA-ST	REV. -	DATE 5/25/2026	SERIAL #
------------------------------	-----------------------	-----------------	----------------------------	-----------	-------------------	----------

- NOTES:
- (M)- FAN MOTOR LOCATION
  - HEAVIEST SECTION IS LOWER SECTION
  - MPT DENOTES MALE PIPE THREAD  
FPT DENOTES FEMALE PIPE THREAD  
BFW DENOTES BEVELED FOR WELDING  
GVD DENOTES GROOVED FOR VICTAULIC
  - +UNIT WEIGHT DOES NOT INCLUDE ACCESSORIES (SEE ACCESSORY DRAWINGS)
  - MAKE-UP WATER PRESSURE  
20 psi MIN [137 kPa], 50 psi MAX [344 kPa]
  - 3/4" [19mm] DIA. MOUNTING HOLES. REFER TO RECOMMENDED STEEL SUPPORT DRAWING
  - DIMENSIONS LISTED AS FOLLOWS: ENGLISH IN [METRIC] [mm]
  - MAKE-UP CONNECTION LOCATED 33" FROM CONNECTION END OF UNIT

**FACE 1  
PLAN VIEW**



**FACE 2**



SHIPPING WEIGHT 4400 lbs+ [1996] kg+	OPERATING WEIGHT 6520 lbs+ [2957] kg+	HEAVIEST SECTION WEIGHT 2650 lbs+ [1202] kg+	NO. OF SHIPPING SECTIONS 2
---	--	---	-------------------------------