

UNIT	COOLING TOWER	
MODEL #	LPT-346U	SCALE NTS

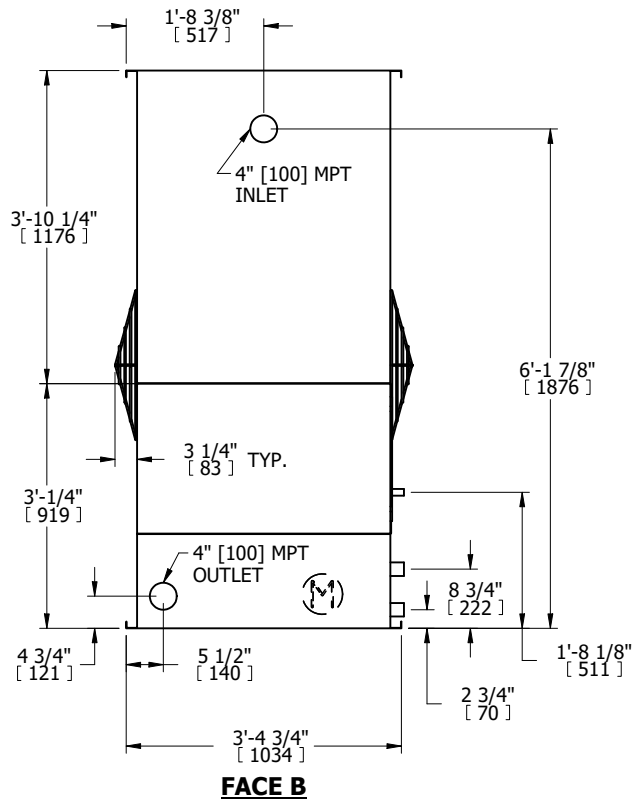
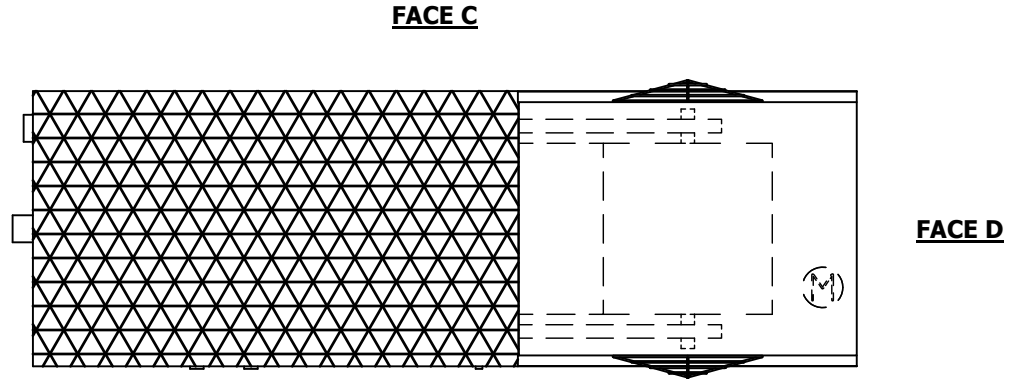
EVAPCO, INC.



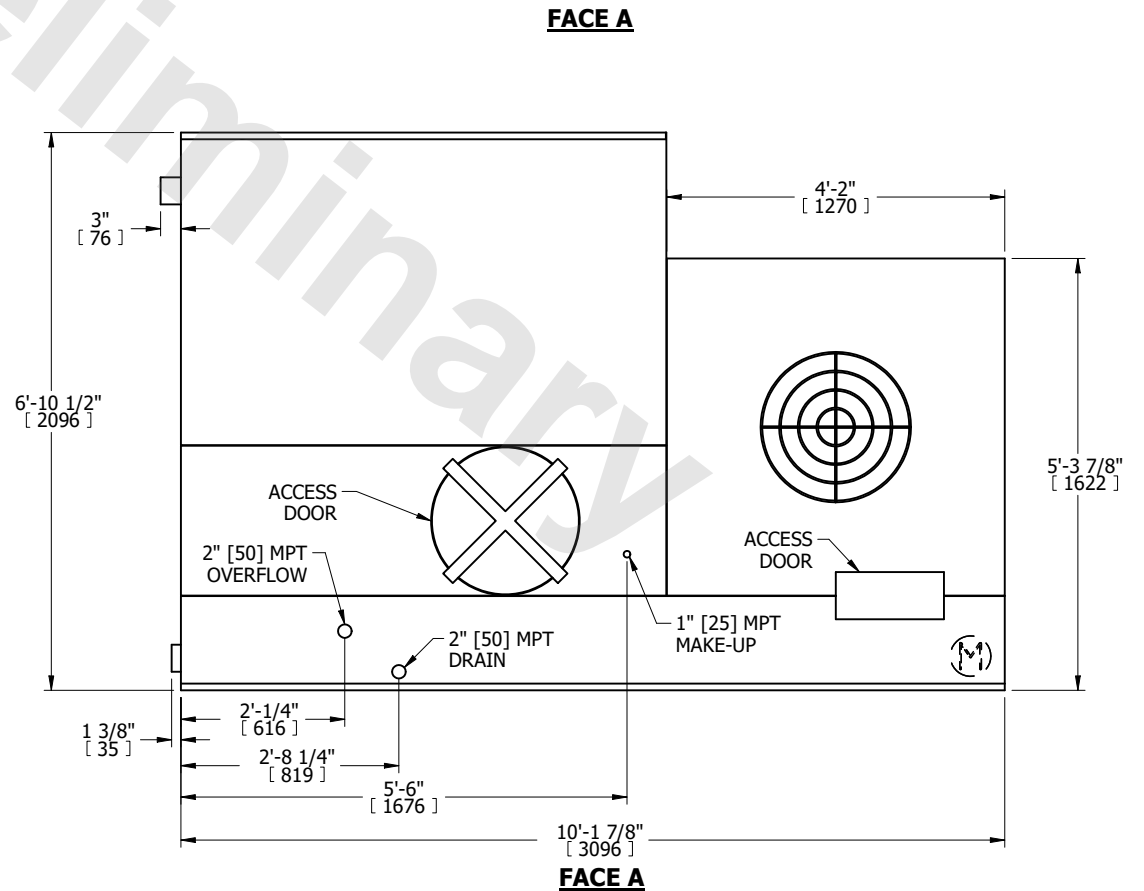
DWG. #	TV03062P-DRD-ST	REV.	-
SERIAL #		DATE	5/13/2026

- NOTES:
- (M) - FAN MOTOR LOCATION
 - MPT DENOTES MALE PIPE THREAD
FPT DENOTES FEMALE PIPE THREAD
BFW DENOTES BEVELED FOR WELDING
GVD DENOTES GROOVED
FLG DENOTES FLANGE
 - + UNIT WEIGHT DOES NOT INCLUDE ACCESSORIES (SEE SEPARATE DRAWINGS FOR ACCESSORIES)
 - 3/4" DIA. MOUNTING HOLES. REFER TO RECOMMENDED STEEL SUPPORT DRAWING
 - MAKE-UP WATER PRESSURE-20 psi MIN, 50 psi MAX
 - DIMENSIONS LISTED AS FOLLOWS:
ENGLISH FT-IN
[METRIC] MM

FACE B
PLAN VIEW



FACE B



FACE A

SHIPPING WEIGHT	1620 lbs+ [735] kg+	OPERATING WEIGHT	2590 lbs+ [1175] kg+	HEIEST SECTION WEIGHT	1620 lbs+ [735] kg+	NO. OF SHIPPING SECTIONS	1	DRAWN BY:	JLG
-----------------	---------------------	------------------	----------------------	-----------------------	---------------------	--------------------------	---	-----------	-----